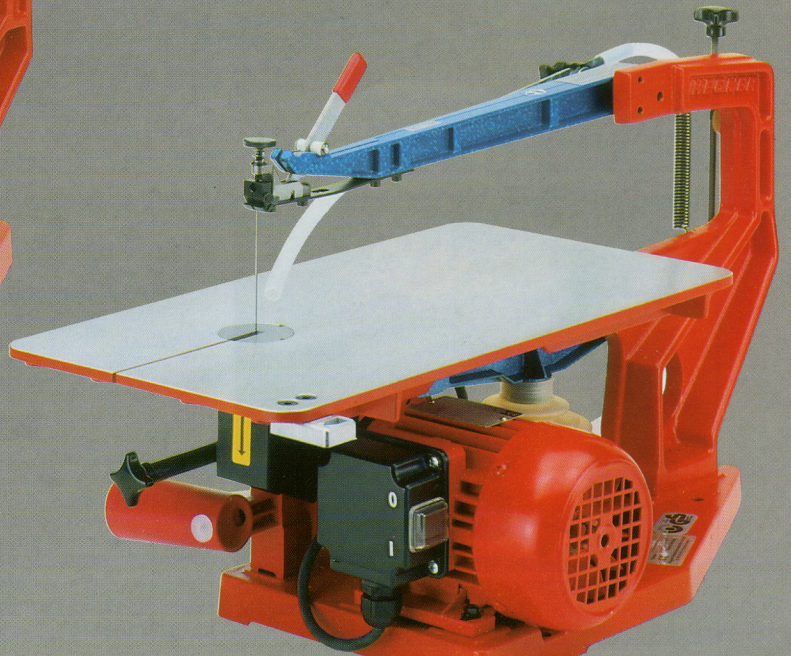
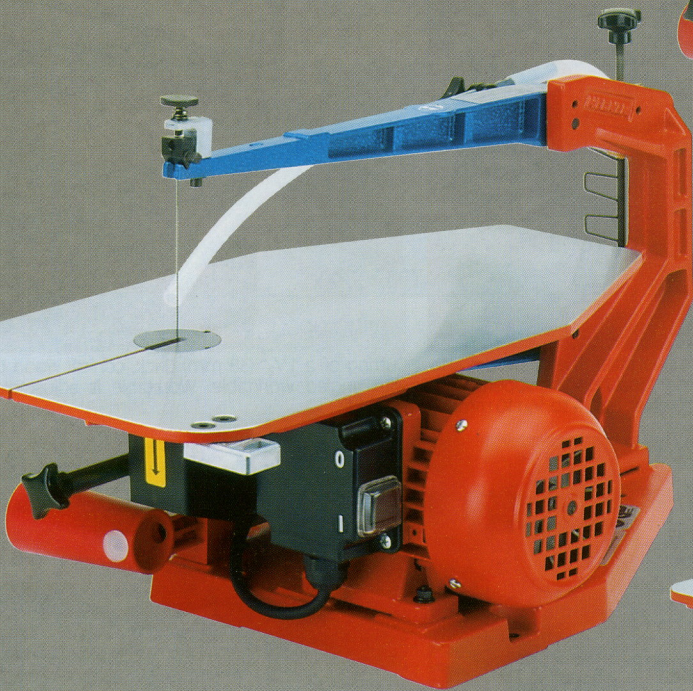
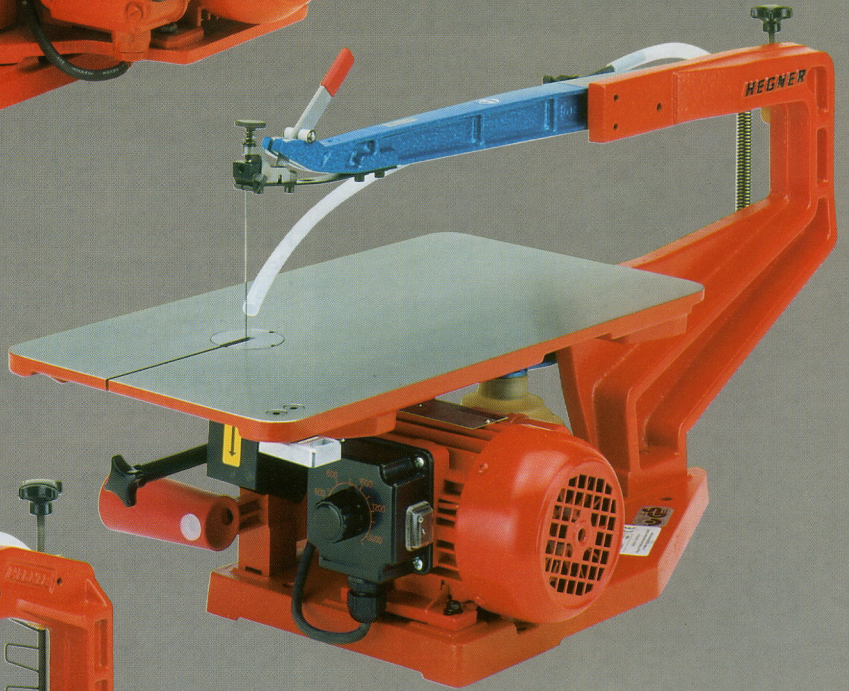
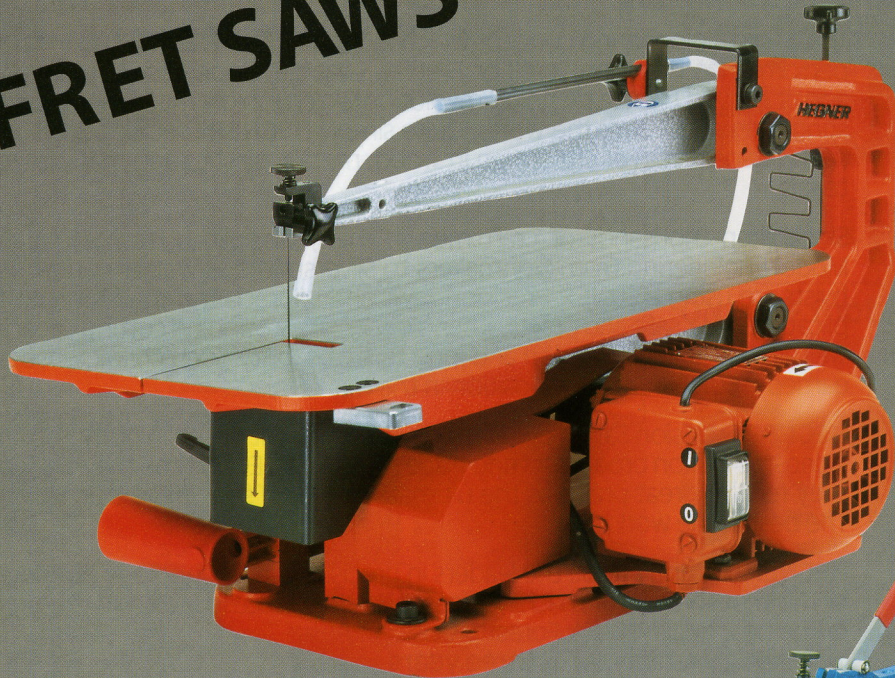


# HEGNER

## FRET SAWS



# HEGNER offers traditionally best quality.

The original pioneering concept which led to the first **HEGNER** Universal High-performance Precision Scroll or Fretsaw, was developed more than 20 years ago. It proved to be a technical revolution which rapidly made inroads into existing markets all over the world. Quite simply **HEGNER** Precision Saws created new perspectives for craftsmen in wood, metals, plastics and many other materials.

Since then thousands of craftsmen in many disciplines from Marquetry to Model Engineering from Signmakers to Silversmiths as well as countless hobbyists are using **HEGNER** Precision Saws and appreciating their breadth of application, their safe and practical handling, their astounding cutting capacities as well as their quiet operation and long term reliability. Such characteristics have earned **HEGNER** a unique position in the marketplace.

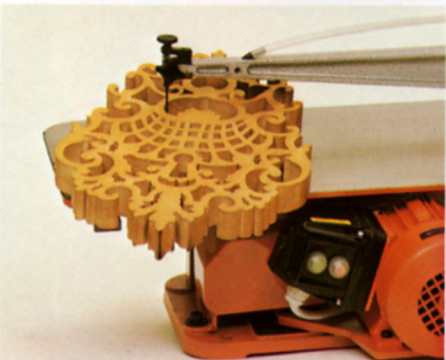
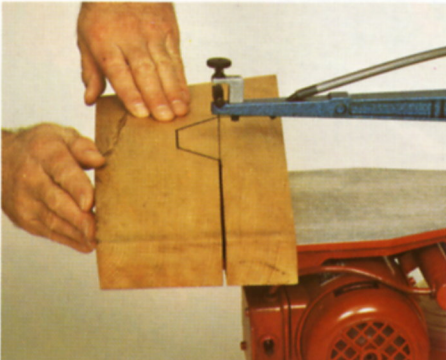
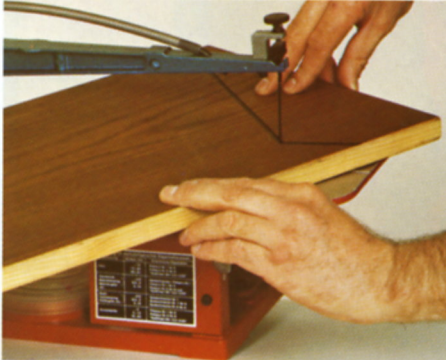
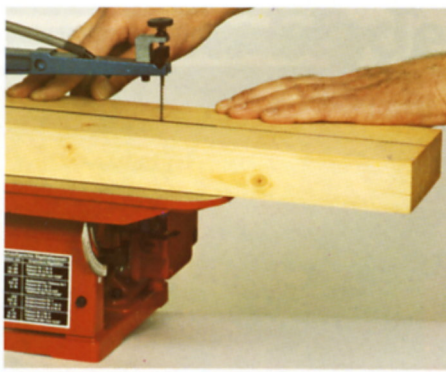
**HEGNER** Precision Saws have been covered in great depth in numerous books, videos, television broadcasts and trade magazines. Every time they are featured they receive great praise as the ultimate precision saw, and a true innovation. The best in the world.

**HEGNER** continue to be the leaders in precision saw technology offering:

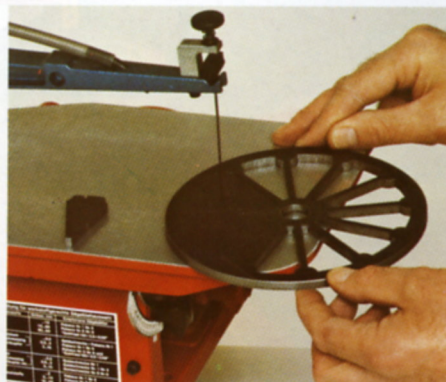
- The widest range of machine sizes, prices and accessories.
- The best quality: Black Forest precision
- The best warranty: A full **three years**
- The best service: Direct telephone contact to experts for consulting, parts and repair services.

**HEGNER** Precision Saws are unique, giving amazing clean results in a wide variety of materials as can be seen from the illustrations. Results which you can see and feel as the finest quality and will convince you of **HEGNER'S** superiority in Precision Saws.

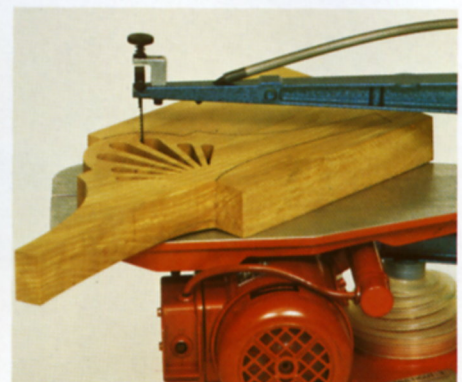
Whether you are looking for a tool for your hobby or your work you will find that you have made the best choice when you invest in a **HEGNER** Precision Saw.



This piece, 1.57" (40 mm) thick and containing **65 internal cuts**, required little time only on the **POLYCUT-3**.



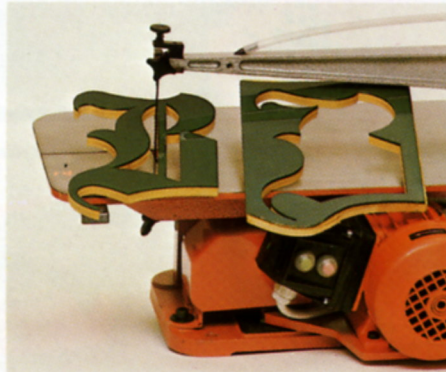
Precise internal cuts in a steel plate. The clean cuts, also in the corners, make additional finishing superfluous. Steel, brass, copper, gold silver, etc..., to  $\frac{3}{8}$ " (10 mm)!



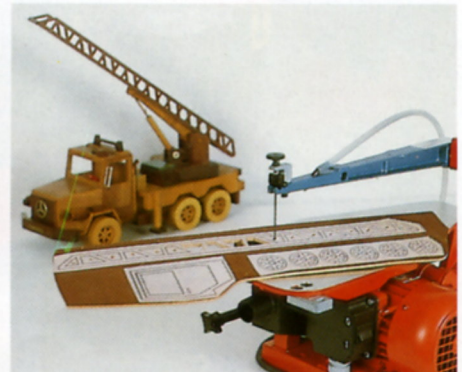
Cutting of a  $1\frac{1}{2}$ " (38 mm) thick, conical wood plate, with angled worktable. Worktable is adjustable up to 45°!



The **POLYCUT-3** changed this  $1\frac{1}{2}$ " thick beech plate into this decorative antique coach (20 x 9") quickly, precisely, and without blade breakage.

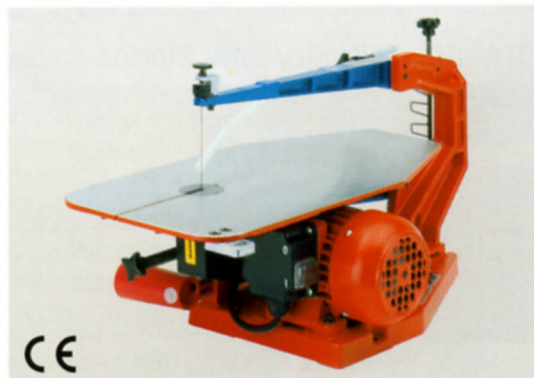


Even thermoplastic material, (P.V.C., Acrylic, etc.) can be sawed quickly, cleanly, and **without melting!** Maximum thickness.  $1\frac{1}{2}$ ".



Precise internal cuts in parts of the fire-engine. The clean cuts, also in the corners, make additional finishing superfluous.

## HEGNER Multicut-1®



### Standard Accessories:

60 Quality saw blades for wood, 1 plastic table insert, 1 set of operating tools, operating instructions.

Multicut-1 with variable speed control, 400-1400 r.p.m.

### Technical data:

Gooseneck:	365 mm
Height of passage:	50 mm
Max. cutting height:	50 mm
Size of cutting table:	435 x 230 mm, 45° tiltable
Length x width of machine:	520 x 270 mm
Saw blade strokes:	15 mm + 12 mm
AC Motor:	230 V, 100 W, 1400 r.p.m.
Net weight of machine:	ca. 16 kg

### Materials:

Softwood:	50 mm
Hardwood:	40 mm
Soft metals (copper, brass, aluminium):	6 mm
Plastics, plexiglas, (perspex):	15 mm

### Max. cutting thickness:

### Construction:

Machine base: grey cast · Continuously rated motor of EC make · Cutting table – precision machined casting · **HEGNER blade suspension system** · Extraction port Ø 35 mm for upper and lower dust extraction.

Article No.

011 00 000

011 30 000

## HEGNER Multicut-2S®

With quick-tensioning system.



### Standard Accessories:

1 assortment of quality saw blades (76 pieces), 2 blade clamps 0,7 mm, 2 screws for blade clamps, 1 quick clamp for inside cuts, 1 plastic table insert, 2 spare rollers for quick tensioning system, 1 set of operating tools, operating instructions.

Multicut-2S with variable speed control, 400-1400 r.p.m.

### Technical data:

Gooseneck:	460 mm
Max. cutting height:	65 mm
Worktable:	435 x 230 mm, 45°/12° tiltable
Length x width:	610 x 280 mm
2 Stroke-adjustments:	19 mm + 12 mm
AC Motor:	230 V, 100 W, 1400 r.p.m.
Net weight:	ca. 19 kg

### Materials:

Softwood:	65 mm
Hardwood:	50 mm
Aluminium, copper:	15 mm
Brass, silver:	10 mm
Iron, soft steel:	6 – 8 mm
Hard plastics, Perspex:	40 mm
Polyurethane foam:	65 mm

### Max. cutting thickness:

### Construction:

Machine base: grey cast · Continuously rated motor of EC make · Cutting table – precision machined casting · **HEGNER blade suspension system** · Extraction port Ø 35 mm for upper and lower dust extraction.

Article No.

002 00 000

002 60 000

## HEGNER Multicut-SE®

With quick-tensioning system.  
Variable speed control.  
Grey cast cutting table.



### Standard Accessories:

1 assortment of quality saw blades (76 pieces), 2 blade clamps 0,7 mm, 2 screws for blade clamps, 1 quick clamp for inside cuts, 1 plastic table insert, 2 spare rollers for quick tensioning system, 1 set of operating tools, operating instructions.

### Technical data:

Gooseneck:	460 mm
Max. cutting height:	65 mm
Worktable:	450 x 230 mm, 45°/12° tiltable
Length x width:	610 x 280 mm
2 Stroke-adjustments:	19 mm + 12 mm
AC Motor:	230 V, 100 W, variable speed control, 400...1400 r.p.m.
Net weight:	23 kg

### Materials:

Softwood:	65 mm
Hardwood:	50 mm
Aluminium, copper:	15 mm
Brass, silver:	10 mm
Iron, soft steel:	6 – 8 mm
Hard plastics, Perspex:	40 mm
Polyurethane foam:	65 mm

### Max. cutting thickness:

### Construction:

Machine base of machined cast iron · Cutting table of ribbed casting, machined mechanically, **HEGNER blade suspension system** · Extraction port Ø 35 mm for upper and lower dust extraction · Continuously rated motor of EC make with incorporated variable speed control.

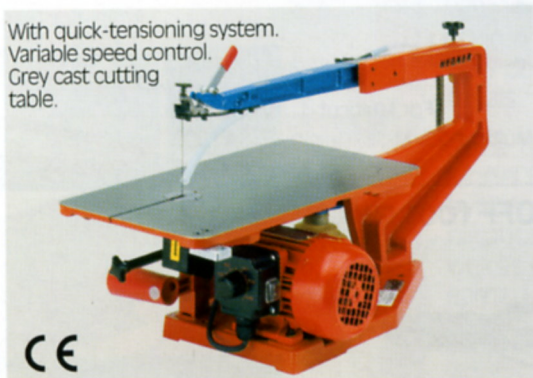
Article No.

018 40 000

# HEGNER Multicut-Quick®

The jigsaw with the large gooseneck of 560 mm.  
Variable speed control. Grey cast cutting table.  
Quick-tensioning system.

With quick-tensioning system.  
Variable speed control.  
Grey cast cutting table.



CE

#### Standard Accessories:

1 assortment of quality saw blades (76 pieces),  
2 blade clamps 0,7 mm, 2 screws for blade clamps, 1  
quick clamp for inside cuts, 1 plastic table insert,  
2 spare rollers for quick tensioning system, 1 set of  
operating tools, operating instructions.

#### Technical data:

Gooseneck:	560 mm
Max. cutting height:	65 mm
Worktable:	435 x 230 mm, 45°/12° tiltable
Length x width:	730 x 280 mm
2 Stroke-adjustments:	19 mm + 12 mm
AC Motor:	230 V, 100 W, variable speed control 400...1400 r.p.m.
Net weight:	29 kg

#### Materials:

Materials:	Max. cutting thickness:
Softwood:	65 mm
Hardwood:	50 mm
Aluminium, copper:	15 mm
Brass, silver:	10 mm
Iron, soft steel:	8 mm
Hard plastics, Perspex:	40 mm
Polyurethane foam:	65 mm

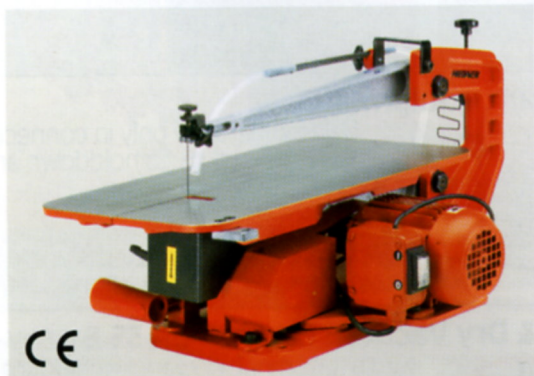
#### Construction:

Machine base of machined cast iron · Cutting table of ribbed casting, machined mechanically, **HEGNER blade suspension system** · Extraction port  $\varnothing$  35 mm for upper and lower dust extraction · Continuously rated motor of EC make with incorporated variable speed control.

Article No.  
022 00 000

# HEGNER Polycut-3®

THE HIGH-PERFORMANCE JIGSAW FOR INDUSTRY AND HANDICRAFTS  
30% higher cutting capacity.  
Four cutting speeds by V-belt drive: 1600, 1270, 1100, 700 r.p.m.



CE

#### Standard accessories:

2 blade clamps 0.7 mm, 2 screws for blade clamps,  
1 set of operating tools, 1 assortment of quality saw  
blades (76 pieces), 1 oil gun, operating instructions.

#### Technical data:

Gooseneck:	500 mm
Max. cutting height:	50 mm
Worktable:	490 x 260 mm, 45° tiltable
Length x width:	675 x 365 mm
2 Stroke-adjustments:	24 mm + 14 mm
AC Motor:	230 V, 180 W, 50 cycles
Net weight:	37 kg

#### Materials:

Materials:	Max. cutting thickness:
Softwood:	50 mm
Hardwood:	50 mm
Aluminium, copper:	15 mm
Brass, silver:	10 mm
Iron, soft steel:	8 mm
Hard plastics, Perspex:	40 mm

#### Construction:

Machine base of machined cast iron · Cutting table of ribbed casting, machined mechanically, **HEGNER blade suspension system** · Extraction port  $\varnothing$  35 mm for upper and lower dust extraction · Continuously rated motor of EC make.

Polycut-3 with AC motor: 230 V, 180 W

Article No.  
004 10 000

# Accessories for HEGNER Fret Saws

## Machine stand



for vibration-free mounting of machine  
working height: 1060 mm

For Multicut-1, 2S, SE, Quick  
For Polycut-3

Article No.  
00202000  
00302000

## Blade clamp w. screw



slot 0,5 mm  
slot 0,7 mm  
slot 1,0 mm

Article No.  
00000090  
00000100  
00000200

## Saw clamp with thumb screw



slot 0,7 mm  
slot 1,0 mm  
thumb screw, only

Article No.  
00000300  
00000400  
00000301

## Quick clamp for inside cutting



Article No.  
00000450

## Square screw for blade clamp



Article No.  
00000101

**Set of Plans** (Car, steam engine, fire waggon, waggon, lorry, excavator, tractor, container lorry, oldtimer / coach)

Article No.  
00005007

## Books (in German language only)

Lustige Puzzles aus Holz, Band 1  
Lustige Figuren aus Holz, Band 2  
Fröhliches Landleben  
Laubsägearbeiten im Jahreslauf  
Laubsägearbeiten z. verschenken

Article No.  
00005008  
00005009  
00005010  
00005011  
00005014



## Workpiece hold-down arm & guard



For Multicut-1  
Multicut-2S/M-SE/Quick  
Polycut-3

Article No.  
01101000  
01841000  
00401000

## ON/OFF foot switch



For Multicut-1, 2S, SE, Quick  
For Polycut-3 only for 230 Volt version

Article No.  
00003000  
00403000

## Machine lamp with bulb



including lamp holder for mounting to machine.

For Multicut-1  
For Multicut-2S, SE, Quick  
lamp holder only for M1  
lamp holder only for 2S, SE, Quick

Article No.  
00205000  
01805000  
00205001  
01805001

## Key for blade clamp



Article No.  
00000102

## No-Volt Switch



An electrically interlocked No-Volt Switch with emergency isolation knob, mounted on a steel bracket to be fitted to the machine.

Article No.  
00004000

## Coolant equipment



(can be used only in connection with workpiece holddown arm)

Article No.  
00406000

## Wet & Dry Vacuum Cleaner QA 35 E (230 V only)



\* with automatic power switching, plug, for electric tools of 40-2000 Watt.  
\* Capacity: 1400 Watt.  
\* Contents: 35 l.  
\* fine dust bag.

## Standard accessories:

hose 1,8 m with adapter 36 mm.  
Consisting of:  
1 tube and 1 floor brush.

Article No.  
00007050

# Saw blades for HEGNER Fret Saws

## Selection of Quality Saw Blades (60 pieces)



consisting of:  
 12 pieces No. 1  
 12 pieces No. 3  
 12 pieces No. 5  
 12 pieces No. 7  
 12 pieces No. 9  
 for wood, plastic and soft metall

Article No.  
**00095300**

## Assortment of Quality Saw Blades (76 pieces)



consisting of:  
 12 pieces No. 1 for wood  
 12 pieces No. 5 for wood  
 12 pieces No. 9 for wood  
 12 pieces No. 1 for metall  
 12 pieces No. 5 for metall  
 12 pieces No. 9 for metall  
 4 pieces coping saw blades  
 130 x 2,5 x 0,55 mm

Article No.  
**00000700**

## HEGNER Quality Saw Blades, length 13 cm

### For wood, plastic and soft metal (Package of 1 gross = 144 pieces)

No. 2/0	(0,52 x 0,25 mm)	
No. 1	(0,65 x 0,30 mm)	
No. 3	(0,80 x 0,34 mm)	
No. 5	(1,20 x 0,38 mm)	
No. 7	(1,15 x 0,45 mm)	
No. 9	(1,35 x 0,50 mm)	
No. 12	(1,70 x 0,55 mm)	
No. 5	(1,00 x 0,38 mm) double toothed	
No. 9	(1,35 x 0,50 mm) double toothed	
No. 12	(1,70 x 0,55 mm) double toothed	

Article No.  
 00000620  
 00000601  
 00000603  
 00000605  
 00000607  
 00000609  
 00000612  
 00000625  
 00000629  
 00000630

### Saw blades for soft wood & plywood

with reserved teeth, to reduce tesrout.

No. 2/0	(0,70 x 0,21 mm)	
No. 1	(0,77 x 0,30 mm)	
No. 3	(0,90 x 0,33 mm)	
No. 5	(0,93 x 0,38 mm)	
No. 7	(1,10 x 0,42 mm)	
No. 9	(1,25 x 0,46 mm)	

00000650  
 00000651  
 00000653  
 00000655  
 00000657  
 00000659

### For Metal

No. 1	(0,61 x 0,30 mm)	
No. 3	(0,74 x 0,36 mm)	
No. 5	(0,84 x 0,40 mm)	
No. 7	(1,02 x 0,48 mm)	
No. 9	(1,20 x 0,55 mm)	
No. 12	(1,65 x 0,60 mm)	

00000631  
 00000633  
 00000635  
 00000637  
 00000639  
 00000642

### Coping saw blades

(130 x 2,50 x 0,55 mm)	
(130 x 2,00 x 0,55 mm)	

00000660  
 00000665