



Bending & Cutting Tools for Roofing, Siding, and Windows




Представитель в России:
ООО «ПО ИП»
Тел: +7 (812)602-77-08
E-mail: info@poip.ru
www.poip.ru

Product Catalog

Which brake fits my needs?

Finding the right brake depends on the metal you need to bend. From residential siding to metal roof construction, we offer a large selection of brakes. Our Metal Master® series features a deeper throat when working with wider materials, and our POWERslot™ hinge allows for smaller bends. Our brakes have the lowest cost of ownership in the industry.

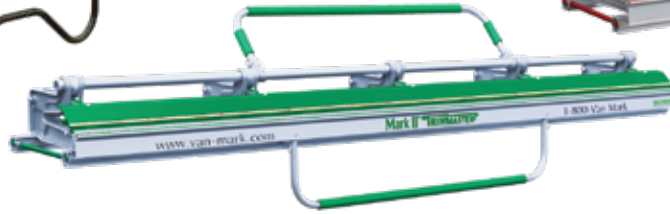
Residential Roofing, Siding, & Windows

'60 Series' **NEW Metal Master®** 
Strongest residential siding brake with a 20" throat
Page 5



20" Throat
POWERslot™ Hinge

Mark II™ TRIMMASTER®
Our most popular portable siding brake
Page 4



14" Throat
POWERslot™ Hinge

Mark I Series®
The original cam-locking portable siding brake
Page 8



14" Throat
Traditional Hinge

Metal Roofing Sheet Metal

'60 Series' **NEW INDUSTRIAL Metal Master®**  **EZ**
Strongest, most reliable metal roofing brake with a 20" throat
Page 10



20" Throat
POWERslot™ Hinge

Mark IV INDUSTRIAL TRIMMASTER®
Powerful, low maintenance metal roofing brake
Page 12



14" Throat
POWERslot™ Hinge

Entry Level DIY

Trim-A-Brake II™
Versatile light-weight brake for basic bending shapes
Page 9



13" Throat
Traditional Hinge

Where can I find these tools?

Accessories



Page 6-7

Stands



Page 7

Coil Holders



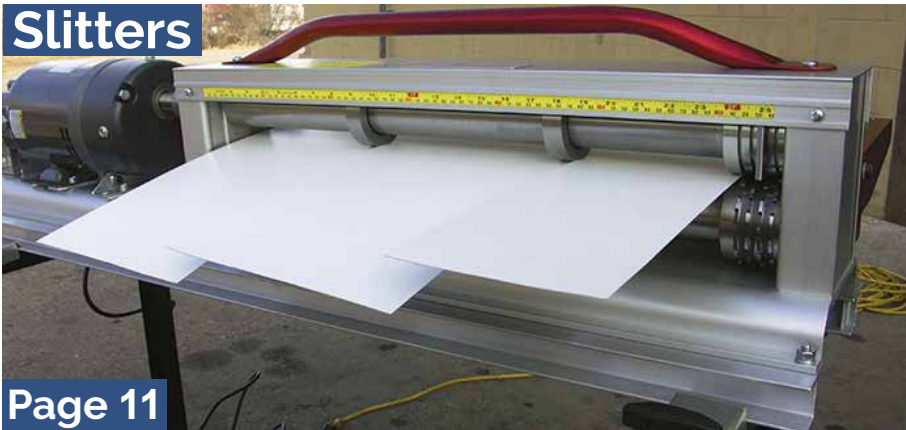
Page 6-7

Nail Hawg™



Page 9

Slitters



Page 11

Cutting Tables



Page 13

Trim-A-Gutter™ System



Page 14-15

14" Throat

Optional Multi Gauge™ No. 3978
Page 6

Optional TrimCutter™ No. 3017
Page 6

Coil not included

Optional Unistand™
EZ-Go No. USA1EZ
Page 7



Optional
CoilDispenser™ No. CD24
Page 6

Model TM10

Mark II™ TRIMMASTER®

- Our best selling machine for the residential siding contractor.
- Maintenance-free, cam-locking design, field tested for over 35 years.
- Powerslot™ hinge set up for 5/8" standard bend.



Maintenance-free cam design locks on a wide variety of metals and thicknesses without adjustments.



Full frame/dual base rails ensure rigidity, reducing the need for continuous adjustment.



Powerslot hinge offers easier hemming and 5/8" bends.

Mark II™ TRIMMASTER® - Residential Heavy Duty

- HD model adds castings and bending handle (10'6", 12'6" and 14'6" models), better suited for heavy use and thicker aluminum (gutter coil).



Model TM10HD

Mark II TrimMaster® Contractor
Bends Aluminum up to .032 (3003H14)

Model	Length	Castings	Weight
TM2	2'0"	2	36 lbs.
TM4	4'6"	3	67 lbs.
TM6	6'6"	3	85 lbs.
TM8	8'6"	4	104 lbs.
TM10	10'6"	5	123 lbs.
TM12*	12'6"	6	159 lbs.

* Dual bending & locking handles

Mark II TrimMaster® Heavy Duty
Bends Aluminum up to .040 (3003H14)

Model	Length	Castings	Weight
TM6HD	6'6"	5	98 lbs.
TM8HD	8'6"	7	128 lbs.
TM10HD*	10'6"	9	163 lbs.
TM12HD**	12'6"	11	199 lbs.
TM14HD**	14'6"	13	230 lbs.

* Dual bending handles

** Dual bending & locking handles

Please contact our factory for capacities on your specific metals.



Optional Unistand™
EZ-Go No. USA2EZ
Page 7

Model MM1060

'60 Series' **NEW** Metal Master®

- Designed with the time proven "Mark Series" cam-locking system.
- Powerslot™ hinge set up for 5/8" standard bend.
- Has all the features of the Mark II TrimMaster®.



Largest working depth (20") of any portable bender.



Ergonomic handle with 2 lifting points, for even bends with one hand.



'60 Series' **NEW** Metal Master® - Residential Heavy Duty

- Heavy Duty model adds castings and bending handle (10'6", 12'6" and 14'6" models), better suited for heavy use and thicker aluminum (gutter coil).

Our new castings designed using solid modeling technology are 15% lighter yet 20% stronger than our original. Adds life to the casting and produces more precise bends.



Model MM1061

Metal Master® 20 Contractor
Bends Aluminum up to .032 (3003H14)

Model	Length	Castings	Weight
MM260	2'0"	2	52 lbs.
MM460	4'6"	2	78 lbs.
MM660	6'6"	3	107 lbs.
MM860	8'6"	3	122 lbs.
MM1060	10'6"	4	148 lbs.
MM1260*	12'6"	5	194 lbs.

* Dual bending & locking handles

Metal Master® 20 Heavy Duty
Bends Aluminum up to .040 (3003H14)

Model	Length	Castings	Weight
MM661	6'6"	4	120 lbs.
MM861	8'6"	4	138 lbs.
MM1061*	10'6"	5	174 lbs.
MM1261**	12'6"	6	210 lbs.
MM1461**	14'6"	7	240 lbs.

* Dual bending handles

** Dual bending & locking handles

Please contact our factory for capacities on your specific metals.

TrimCutter™



Model 3017

- Cuts up to 24 gauge painted steel and .040" aluminum, leaving a clean factory edge.
- 4 guide bearing system ensures proper tracking and angle to help eliminate rippling or oil-canning of your metals.
- Fits all current model cam-locking brakes.



TrimFormer™

Portable Roll Forming Tool



Patent No. 6,233,995

Model 3015

- Includes Brick Mold and Rib form dies.
- Offer custom detailed trim to increase profits.
- Fits all current model cam-locking brakes.



Brick Mold Dies Model 3018
Duplicates traditional 908 brick mold casing. (included)



Rib Form Dies Model 3019
Strengthens metal. (included)



Bead Form Dies Model 3044
Forms beads for drip edge or fascia. (optional)



Crown Mold Dies Model 3025
For decorative OG profile trim. (optional)



Model 3978

- Helps to determine both the angle of the metal being bent and lining up your TrimCutter™ cut-off point.
- Fits all current model cam-locking brakes.



Coil Dispenser™

Model CD24

- Pays for itself by minimizing potential damage to coils.
- Saves time by streamlining the work process.
- Works with TrimCutter™ and Multi Gauge™.



Coil not included



Allows material to be fed directly into brakes or slitters.



Patent No. 6,854,314

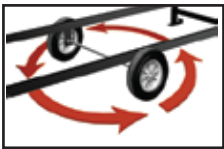


MODEL - USA1EZ, USA2EZ

- Heavy duty steel construction with strong latch plates locks brake to stand in seconds.
- Breaks down flat for easy transport and storage.



Engage wheels to move tool around, disengage to start working.



Unistand EZ-Go provides mobility for your brake. Spins on a dime!



Steel Leg Kits

MODEL - 3000, 3001, 3002, 3020

- Steel folding leg kits.
- Includes all hardware specific to model.



MODEL - UNL1, UNL2

- Sets up/detaches in seconds with easy to release latch plates.
- Easy to store when detached.
- Optional Wheel and Foot Kits available.



Patent No. 6,755,067



MODEL - 3016

- Scores aluminum at edge of vinyl.
- Fits all current cam-locking brakes.
- Easily replaceable utility knife blades.



Wheel Kits

MODEL - 3004, 3035

- Mounts to the end of brake for easy transport.



Coil not included

Coil Cradle™

MODEL - CC14, CC24, CC36

- Protects valuable trim coil from damage due to unwinding, scratching, or dirty surfaces.
- Stainless steel edge for easy scoring.

14" Throat



Model M10

Mark I Series™

- Original maintenance-free cam design, over 35 years of field tested perfection.
- Traditional Hinge set up for 3/4" standard bend.



Maintenance-free cam design locks on a wide variety of metals and thicknesses without adjustments.



Easy hemming (180 degree bends).



Full loop bending handle with dual lifting points allows one handed bending.

Mark I Series™- Residential Heavy Duty

- HD model adds castings and bending handle (10'6", 12'6" and 14'6" models), better suited for heavy use and thicker aluminum (gutter coil).



Model M10HD

Mark I Series™ Contractor
Bends Aluminum up to .032 (3003H14)

Model	Length	Castings	Weight
M2	2'0"	2	32 lbs.
M4	4'6"	3	63 lbs.
M6	6'6"	3	83 lbs.
M8	8'6"	4	101 lbs.
M10	10'6"	5	120 lbs.
M12*	12'6"	6	153 lbs.

* Dual bending & locking handles

Mark I Series™ Heavy Duty
Bends Aluminum up to .040 (3003H14)

Model	Length	Castings	Weight
M6HD	6'6"	5	95 lbs.
M8HD	8'6"	7	113 lbs.
M10HD*	10'6"	9	159 lbs.
M12HD**	12'6"	11	189 lbs.
M14HD**	14'6"	13	225 lbs.

* Dual bending handles

** Dual bending & locking handles

Please contact our factory for capacities on your specific material.



Model T1050

Optional Steel Legs No. 3000
Page 7



Easy to use, positive toggle lock with single point adjustment.

Trim-A-Brake II™

- Lightweight for easy setup and transport.
- Allows basic bends up to 130 degrees.
- Entry level brake for bending fascia, trim, chimney flashing, etc.

Trim-A-Brake II™

Bends Aluminum up to .024 (3003H14)

Model	Length	Castings	Weight
T200	2'0"	2	25 lbs.
T450	4'6"	3	40 lbs.
T650	6'6"	4	58 lbs.
T850	8'6"	4	76 lbs.
T1050	10'6"	5	91 lbs.
T1250*	12'6"	7	112 lbs.

* Dual bending handles

Please contact our factory for capacities on your specific material.



Patent No. D527,858

NailHawg™

- Adjustable height, ball bearing wheels for use on landscaping or paved surfaces.
- Durable extruded aluminum construction handles the demands of the roofing trade and the rental industry.



Multiple wheel heights.

- 1.0"
- 1.5"
- 2.0"
- 2.5"



Generous debris pick-up area.



Magnet's quick release action, may be operated by foot or hand.

Industry's strongest magnetic sweep for nail and debris retrieval.

Model	Length	Weight
NH25	25"	18.5 lbs.
NH31	31"	20.4 lbs.

Trim-A-Louver™

- Easily punches ventilation louvers in aluminum and in light gauge steel.
- 6" wide blade included.
- Optional 2.5" blade.



Tune-up Kits

Tune-up kits and replacement part solutions are available for all machines built by Van Mark since 1964.

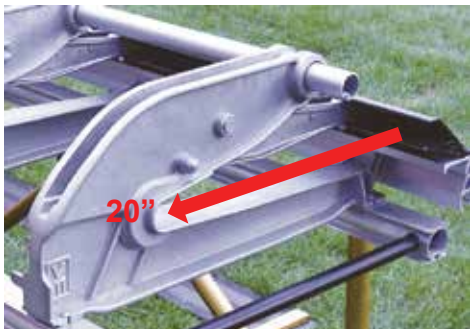


20" Throat

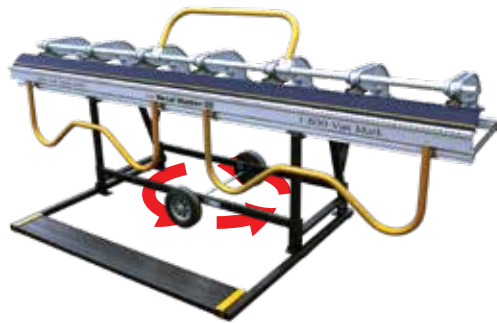


'60 Series' **NEW** INDUSTRIAL **Metal Master® 20 EZ**

- Specifically engineered to meet the demands of metal roofing and metal building industries.
- Extended length, large diameter ergonomic handles, provide maximum leverage.



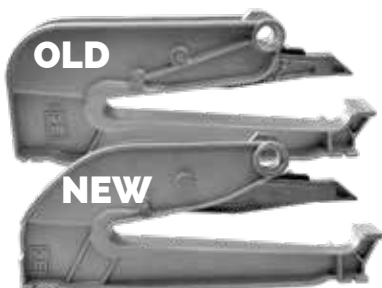
Lock Master casting is computer designed to offer maximum strength along with **20"** depth for working with wider materials.



- Master Stand EZ (included) has retractable, ball bearing wheels and "spins on a dime" when engaged.
- Stand detaches easily and stores flat for easy set-up, transport, and storage.



- Optional TrimCutter™ (see page 6), easily shears 24, 26, 29 gauge steel, and up to .040" aluminum (works on all our cam lock brakes).
- Dual guide rails and 4 bearings for maximizing factory-edge cuts and minimizing rippling, or oil-canning.



Our new castings designed using solid modeling technology are 15% lighter yet 20% stronger than our original. Adds life to the casting and produces more precise bends.

Recommended Bending Capacities

Material	Thickness	Model	Length	Castings	Weight
Aluminum (3003H14)	.050	IM665	6'6"	5	217 lbs.
Galvanized Steel	20 ga.	IM865	8'6"	5	227 lbs.
Painted Steel (Grade D)	24 ga.	IM1065*	10'6"	7	259 lbs.
Roofing Copper	36 oz.	IM1265**	12'6"	9	363 lbs.
Zinc	.050	IM1465**	14'6"	10	385 lbs.
Stainless Steel (304L)	24 ga.				

* Dual bending handles

** Dual bending & locking handles

Please contact our factory for capacities on your specific material.

24" Width

Perforate, slit, and rib-form up to 24 gauge steel onsite!

Trim-A-Slitter. PERF PACKAGE

Model SCI24HD

- Perf Package features 24" slitter, heavy-duty motor, base rails, Unistand™ EZ-Go Mini, and perforator die set!
- Produce your own ventilated ridge cap, z-bar or soffit.

Optional Perforator Dies No. 3024A (Included in SCI24HD)



Perf then bend!



Model S24C

Trim-A-Slitter.

- The solution for all your onsite and factory needs for slitting and rib forming metal.
- Each slitter includes 4 knives: requires (2) knives per cut, (3) knives per rib.
- Rib forming your flat stock can increase rigidity and minimize oil canning.
- Easily operated with manual hand crank or optional motor kits.
- Adjustable feed table with aluminum guide rollers accommodates varying widths of sheet or coil.

48" Width



INDUSTRIAL Trim-A-Slitter. COMBO

Model SCI48

- 'Combo' slitter features 48" slitter, standard duty motor, base rails, Unistand™, and 6' roller exit table.
- Breaks down for easy transport and storage in minutes.



Exit table supports material after slitting, minimizing potential damage.



Model S48CB

Optional Motor Kits available

Model	Length	Arbor	Weight
S14B	14"	1.5"	36 lbs.
S24B	24"	1.5"	56 lbs.
S24C	24"	2"	74 lbs.
S36C	36"	2"	103 lbs.
S48CB*	48"	2"	131 lbs.

* Includes Booster Block (2 ea.)

Please contact our factory for capacities on your specific material.

Power Accessories

Part	Description	Weight
3521	115 Volt	26 lbs.
3535*	115 Volt HD	50 lbs.
3522	220/230 Volt	26 lbs.
3508	HD Foot Pedal	6 lbs.

* HD Motor recommended for perforating

Slitter Accessories

Slitter Accessories make it possible to increase your slitting efficiency saving time and money. Capacity Boosters/Blocks can be added to handle heavier gauge metals. Perforator dies offer 3.36" of Net Free Area per linear ft, for making custom ventilation on the job site. Several Motor kits are available to automate your slitting projects. Slitter knives each have two cutting edges and additional sets can be added to increase production.



Capacity Boosters/Blocks

- 1 No. 3581 B Models 1.5" Shaft
- 2 No. 3582 C Models 2.0" Shaft
- 3 No. 3578 C Models only

Perforating Rolls

- 4 No. 3007 B Models
- 5 No. 3024A C Models
- 6 No. 5119 Perf Stripper

Slitter Knives

- 7 No. 5034 B Models
- 8 No. 5035 C Models

14" Throat



Xtreme
Shop stand included
Patent No. 6,435,460

Mark IV INDUSTRIAL TRIMMASTER®

- Specifically engineered to meet the demands of metal roofing and metal building industries.
- Includes Xtreme Stand™ for maximum leverage while bending.
- Each blue anodized loop handle provides two lifting points while using just one hand.



- Maintenance-free cam locking system eliminates the need to adjust your brake for different material thicknesses.
- Locking handles lock out of the way of material.

- Xtreme Stand™ provides stable support for the brake while bending.
- Stand/platform easily detaches with 6 quick release pins and stores flat.

- Powerlock f-bar features hollow-core extrusions for maximum locking pressure.
- Powerslot™ Hinge for better leverage and easier hemming of metals.

Recommended Bending Capacities

Material	Thickness	Model	Length	Castings	Weight
Aluminum (3003H14)	.050	IT6	6'6"	7	144 lbs.
Galvanized Steel	20 ga.	IT8	8'6"	9	182 lbs.
Painted Steel (Grade D)	24 ga.	IT10*	10'6"	11	211 lbs.
Roofing Copper	36 oz.	IT12**	12'6"	13	250 lbs.
Zinc	.050	IT14**	14'6"	15	291 lbs.
Stainless Steel (304L)	24 ga.				

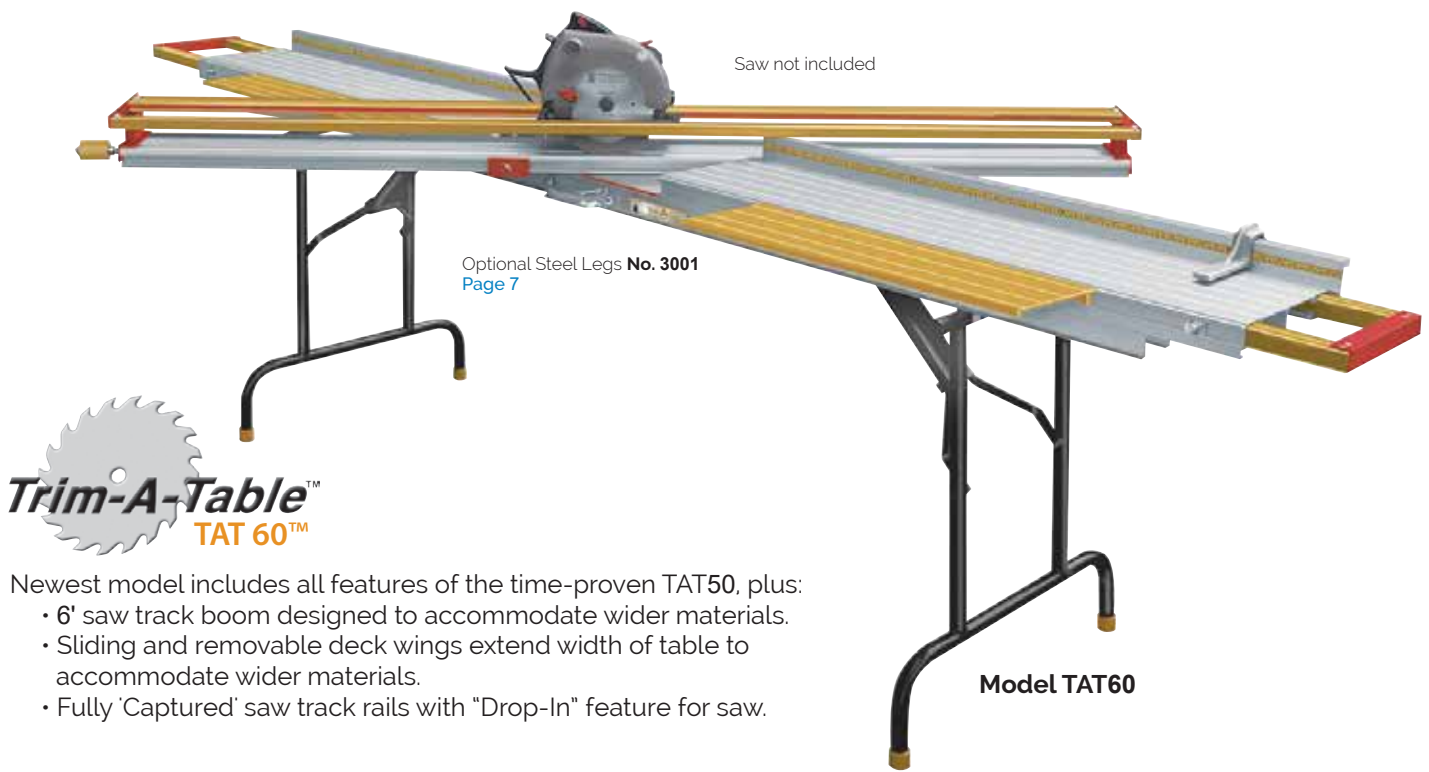
* Dual bending handles

** Dual bending & locking handles

Please contact our factory for capacities on your specific material.

Complete job-site metal shop!





Saw not included

Optional Steel Legs No. 3001
Page 7



Newest model includes all features of the time-proven TAT50, plus:

- 6' saw track boom designed to accommodate wider materials.
- Sliding and removable deck wings extend width of table to accommodate wider materials.
- Fully 'Captured' saw track rails with "Drop-In" feature for saw.

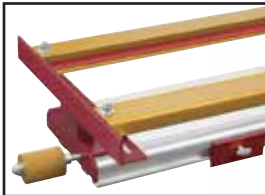
Model TAT60



Recessed saw blade track to avoid tabletop cut through



Dual-Scale Protractor For Left & Right Cuts



Quick-Adjust Saw Rails



Aluminum Knob Provides A Positive Lock



Lightweight & Portable for Easy Transport



Saw not included

Optional Steel Legs No. 3001
Page 7

Model TAT50



- The 'original' Trim-A-Table brings a 40 year reputation of 'innovative design'. The best selling siding table of all time.
- Adjustable saw tracks accommodate most circular saws.
- Saw track boom removes easily in seconds.
- Extends to 18' to accommodate 12' panels with ease.
- Compacts to 8' for easy transport.



Optional Steel Legs No. 3020
Page 7

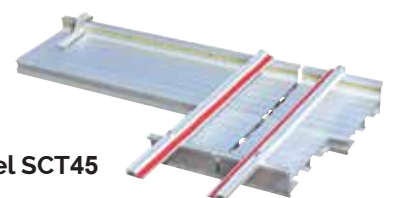
Model SCT90



- Lightweight 90" table for basic 90 degree cuts.
- Saw tracks adjust for most circular saws.
- Perfect for siding, soffit, and deck materials.
- Table extension allows for longer material.



- 45" basic table for smaller jobs.



Model SCT45

Van Mark Trim-A-Gutter™ System

Profitable Alternative to “off the shelf” products



B Optional UniLeg™ Tool Supports
Page 7

Note: The gutter hood above is shown with beads made with Bead Form dies and TrimFormer™.
Page 6

Trim-A-Gutter™



BEFORE



AFTER



Unimount™ (included) allows use of Unilegs™ No. UNL1, or can be added to the back of any “Mark” series brakes.

- Forms industry standard 48" sections of gutter hood.
- Works with Aluminum trim coil or gutter coil.
- Simple 2-step process: Make 90 degree 1/2" bend then form rounded hood.
- Use our brackets to support hood as well as hang gutter or reinforce sagging gutters.
- Use our lower cost clips when only hood support is needed.
- Brackets and clips are manufactured with wide zip screw-slot for easy installation.
- 3/8" and 3" anchor stainless steel screws work well with magnetic bit driver.



Available 5" or 6" brackets make it possible to add gutter hood to virtually any 5" or 6" "K" style gutter.



Clips easily install to most 5" or 6" "K" style gutter.

Profitable & Easy...Here are 4 Reasons

1) Easy to do

- All you need is our Trim-A-Gutter™ tool and brackets or clips.
- It's simple to operate our tool and easy to install the hood.
- No specialized training needed.

2) Inexpensive

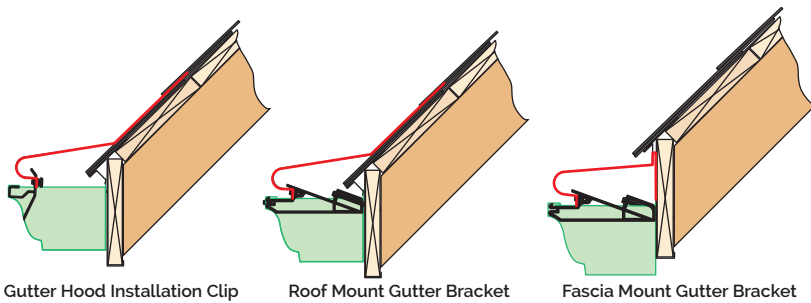
- The cost per foot of this system is one of the lowest available.
- No franchise, marketing fees, or quotas to meet.
- One 50 ft. roll of 24" trim coil can produce 100 ft. of roof mount hood or 150 ft. fascia mount hood.

3) Custom

- Form gutter hood from hundreds of available colors match gutters or roof vs. limited "off the shelf" colors.
- Hoods may be formed using trim coil or gutter coil.
- Choose the best solution for each job, roof or fascia mount.
- May be ribbed or perforated with optional TrimFormer or Trim-A-Slitter™.

4) Profitable

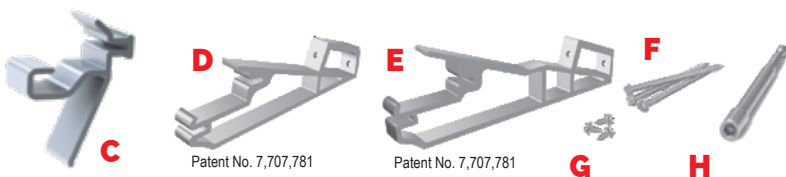
- Competes with high end hood systems, but without the high costs.
- Avoid waste by using only the size of hood needed rather than the "one size fits all" approach of other systems.
- Expand endlessly. No limited territories.



Gutter Hood Installation Clip

Roof Mount Gutter Bracket

Fascia Mount Gutter Bracket



Patent No. 7,707,781

Patent No. 7,707,781

Ref	Description	Part No.
A	Trim-A-Gutter™ Tool	TAG50
B	UniLeg™ Tool Supports	UNL1
CLIPS (Uses 3/8" Cover Screw)		
C	100 ct. Clip (For 5" or 6" Gutter)	3045
C	500 ct. Clip (For 5" or 6" Gutter)	3046
BRACKETS (Uses 3/8" Cover, 3" Anchor)		
D	100 ct. 5 inch Bracket	3026
D	500 ct. 5 inch Bracket	3027
E	100 ct. 6 inch Bracket	3093
E	500 ct. 6 inch Bracket	3094
SCREWS & ANCHORS		
F	100 ct. 3" Anchor	3028
F	500 ct. 3" Anchor	3029
G	100 ct. Cover Screw 3/8"	3030
G	500 ct. Cover Screw 3/8"	3031
H	1/4" Magnetic Bit Driver	4629



American owned and operated, Van Mark Products Corporation was founded in 1964 by Gene Van Cleave, the engineer of the first portable bending brake. For over 55 years, the company's goal has been to manufacture the best portable jobsite bending brakes, cutting tables, gutter leaf protection solutions and other unique tools for the exterior building contractor. Van Mark has since earned the reputation of providing American made tools with a proven history of quality, durability and the lowest cost of ownership. The tools are designed to provide many years of trouble-free service with little or no maintenance. We also take pride in the fact that the tools have stood the test of time, and we continue to offer parts solutions, if needed, for products that we have manufactured since 1964. Today, we carry on our tradition of excellence with Gene's son, Jeff Van Cleave, guiding the business with quality and innovation in every tool we build. We thank you for considering your purchase of our products. Our sales and technical teams are here to assist you with finding the best solution for your tool needs. We look forward to earning your business.



Представитель в России:
ООО «ПО ИП»
Тел: +7 (812)602-77-08
E-mail: info@poip.ru
www.poip.ru

Toll Free: 1-800-Van Mark
Toll Free Fax: 1-888-Van Mark

Phone: 1-248-478-1200
Fax: 1-248-478-1226