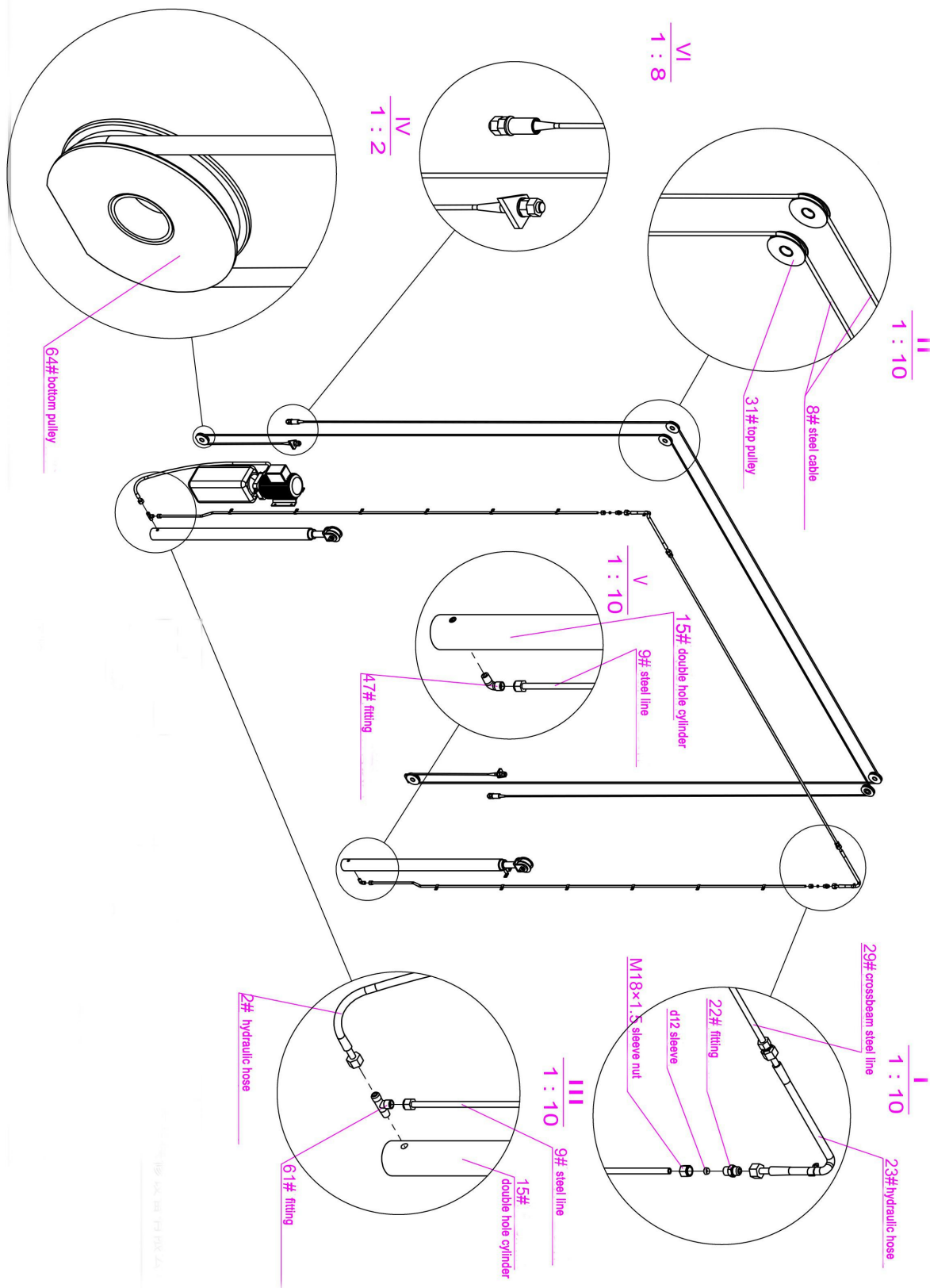
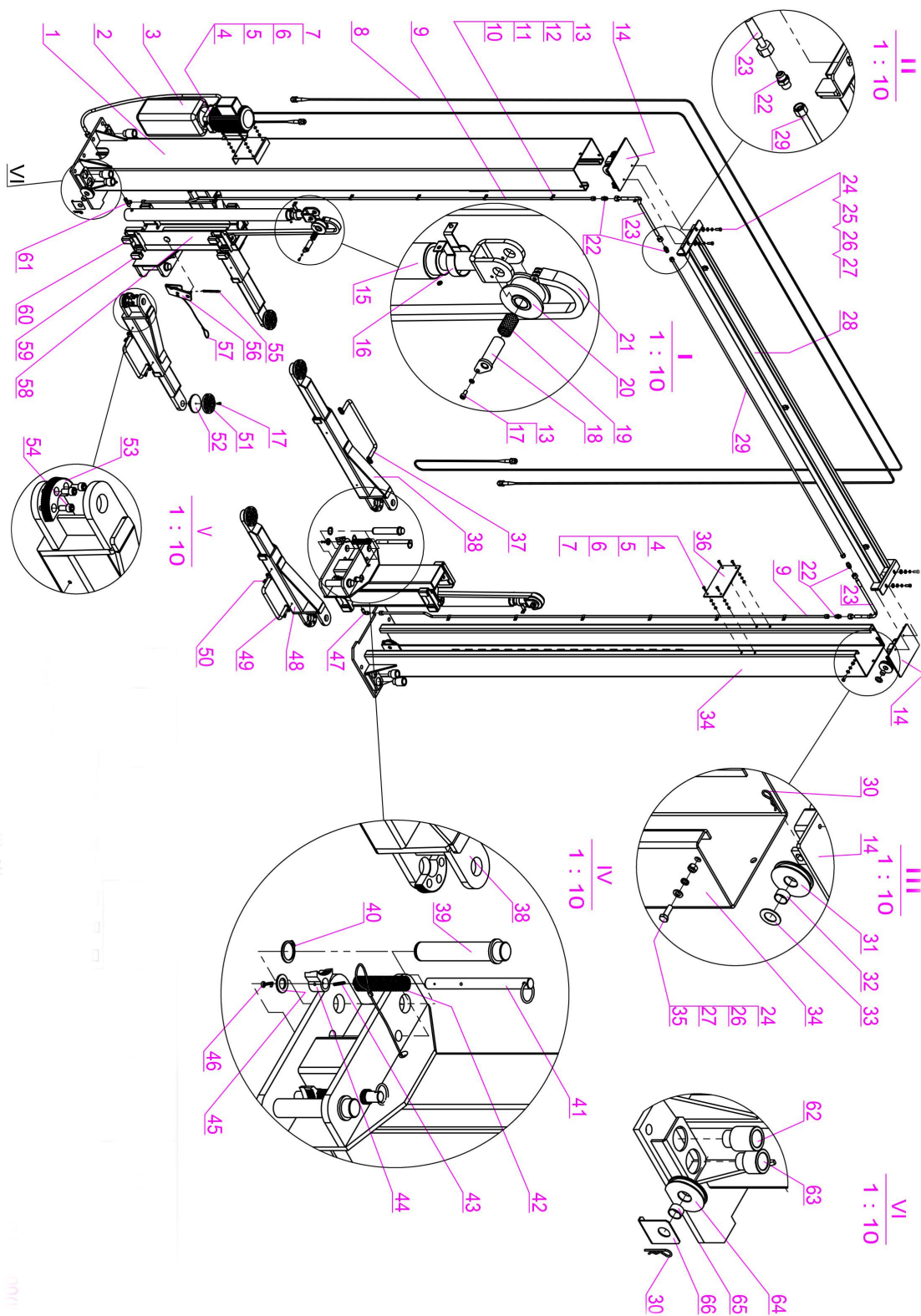


### 6. Exploded drawing





No.	Name	Qty	No.	Name	Qty
1	Main column assembly	1	34	Sub column assembly	1
2	Hydraulic hose	1	35	M10 nut	6
3	Power unit	1	36	Column strength plate	2
4	M8*25 nut	12	37	Long foot protector	2
5	D8 washer	12	38	Long arm assembly	2
6	D8 spring washer	12	39	Arm pin	4
7	M8 nut	12	40	Snap ring	4
8	Steel cable L=10560mm	2	41	Fixing gear rod	4
9	Steel line	2	42	Spring	4
10	Hose fixing clip	14	43	Elastic pin	2
11	M6*8 bolt	14	44	Fixing gear	4
12	D6 washer	14	45	D22 washer	4
13	D6 spring washer	16	46	Cotter	4
14	Top plate assembly	2	47	fitting	1
15	Double hole cylinder	2	48	Short arm assembly	2
16	Cylinder fixing ring	2	49	Short arm protector	2
17	M6*12 bolt	6	50	M8*12 bolt	8
18	Chain pulley axle	2	51	Rubber pad	4
19	Oiless bearing	2	52	Pad weldment	4
20	Chain pulley	2	53	gear	4
21	Chain	2	54	M10*20 bolt	12
22	fitting	4	55	spring	2
23	Hydraulic hose L=600mm	2	56	latch	2
24	M10*30 nut	10	57	Release cable	2
25	D12 washer	4	58	carriage	2
26	D10 washer	10	59	Nylon block B	8
27	D10 spring washer	10	60	Nylon block A	8
28	crossbeam	1	61	Fitting	1
29	Steel hose L=2560mm	1	62	Middle adaptor	4
30	B clip	6	63	Short adaptor	4
31	Top pulley	4	64	Bottom pulley	2
32	Oiless bearing	4	65	Oiless bearing	2
33	Pulley check ring	2	66	Pulley stopper	2