

Официальный дилер в России:
ООО «ПО ИП»
Тел: +7 (812)602-77-08
E-mail: info@poip.ru
www.poip.ru



YIIDNN® 邑东



上海邑东实业有限公司
Shanghai YIIDNN Industrial Co.,Ltd.

内贸部

联系人: 朱经理

手机: 18267770872

微信: 18267770872

QQ: 596312857

邮箱: sales@yiidnn.com

Foreign Trade Department

Contact: Ailsa Gui

Mobile:+86 188 5875 7785

WhatsApp:+86 188 5875 7785

WeChat:+86 188 5875 7785

E-Mail: ailsa@yiidnn.com

公司地址: 上海市松江区小昆山工业区

Address: Xiaokunshan Industrial Zone, Songjiang District, Shanghai

压力机
Punching Machine
产品画册 Product Catalog

上海邑东实业有限公司
Shanghai YIIDNN Industrial Co.,Ltd.

公司简介 Company Profile

上海邑东实业有限公司创始于2004年，我司旗下拥有分公司乐清市邑东电气有限公司。邑东实业具备了自行研发、设计的能力，同时可以帮客户代加工贴牌，还拥有自创的 "YIIDNN" 品牌，行销全球各地。

邑东实业专业生产：气缸、电磁阀、管件接头、气动压力机等气动元件和系统，不锈钢电缆标牌、铭牌等标识系统，不锈钢扎带捆扎方案等。并承接五金产品非标定做。

公司以“邑立东方，连接世界”为目标，坚持以“为客户创造价值”为宗旨，努力为客户提供更优质的产品和服务。

Shanghai YIIDNN Industrial Co., Ltd. was founded in 2004. Our company owns a subsidiary company Yueqing YIIDNN Electric Co., Ltd. YIIDNN Industrial has the ability to develop and design on its own, and at the same time, it can help customers to process and OEM. It also has its own "YIIDNN" brand, which is sold all over the world.

YIIDNN Industrial specializes in the production of pneumatic components and systems such as cylinders, solenoid valves, pipe fittings, pneumatic presses, stainless steel cable signs, nameplates and other identification systems, and stainless steel band banding solutions. And to undertake non-standard custom hardware products.

With the goal of "Stand East Connect the World", the company insists on the purpose of "creating value for customers", and strives to provide customers with better products and services.

气动压力机简介

一、工作前提

需要空气压缩机或气泵提供气源。

二、工作原理

气动压力机是利用空气压缩机产生的高压气体，通过气管将压缩气体输送至电磁阀，通过脚踏开关来控制电磁阀的动作来控制气缸的工作和返回，从而达到冲压的目的。压缩空气可以存储在储气罐中，随时取用，因而电动机没有空转的能源浪费。利用气缸做工作部件、利用电磁阀做控制元件，使本机结构更加简单，故障率低、安全性高、维修简单、维修成本更低、生产效率高。利用220V电源来实现对电磁阀的控制，操作简单方便。

三、产品特点

- 1.以压缩空气作为动力源，高效率且容易操作，结构简单，极少维修。
- 2.没有油压系统待机时所产生之噪音，可节省电力消耗降低生产成本。
- 3.可根据不同的产品或模具，任意调整高度、速度、行程、压力和冲压时间。
- 4.配有抗转动的导向棒、导向板，精度高，能适应高速精密冲裁。
- 5.可选用双手控制或脚踏方式。确保操作人员的人身安全。
- 6.采用微电脑控制系统，模式可选择手动、半自动、全自动方式。可增加加热模具、温度控制及压力传感器。

四、应用范围

YD系列气液台式精密压力机，属小型精密压力设备。适合电子、仪器、仪表、照相机、首饰、小五金及服装、鞋帽业;可对薄板、条料、卷材进行剪切、冲孔、落料、成型、弯曲、铆合等工序;适合有色金属、塑料件等的加工。

Introduction to Pneumatic Press

1. Prerequisites for work

An air compressor or air pump is required to provide the air source.

2. Working principle

The pneumatic press uses the high-pressure gas generated by the air compressor to deliver the compressed gas to the solenoid valve through the gas pipe, and controls the action of the solenoid valve through the foot switch to control the work and return of the cylinder, so as to achieve the purpose of punching. Compressed air can be stored in the air storage tank and can be used at any time, so the motor has no energy waste of idling. The cylinder is used as the working part and the solenoid valve is used as the control element, so that the structure of the machine is simpler, the failure rate is low, the safety is high, the maintenance is simple, the maintenance cost is lower, and the production efficiency is high. The 220V power supply is used to realize the control of the solenoid valve, and the operation is simple and convenient.

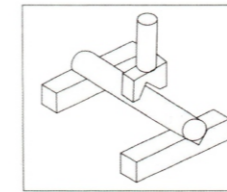
3. Product Features

- ①. Using compressed air as the power source, it is highly efficient and easy to operate, with simple structure and little maintenance.
- ②. There is no noise generated when the hydraulic system is in standby, which can save power consumption and reduce production costs.
- ③. Height, speed, stroke, pressure and punching time can be adjusted arbitrarily according to different products or molds.
- ④. Equipped with anti-rotation guide rods and guide plates, with high precision and suitable for high-speed precision blanking.
- ⑤. You can choose two-hand control or pedal mode. Ensure operator's personal safety.
- ⑥. Using microcomputer control system, the mode can be selected from manual, semi-automatic and fully automatic. Heated molds, temperature controls and pressure sensors can be added.

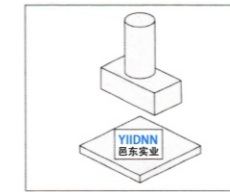
4. Scope of application

YD series gas-liquid desktop precision press is a small precision pressure equipment. Suitable for electronics, instruments, meters, cameras, jewelry, hardware, clothing, shoes and hats industries; it can cut, punch, blank, form, bend, rivete and other processes on thin plates, strips, and coils; suitable for non-ferrous metals, processing of plastic parts, etc.

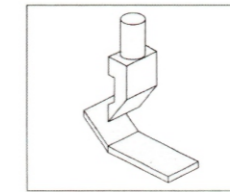
气动压力机应用 Pneumatic press machine application



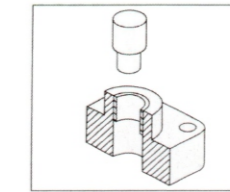
压弯 bending



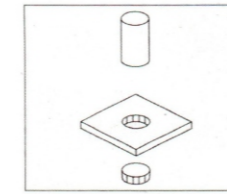
印字 printing



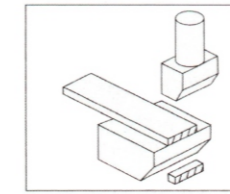
折弯 bend



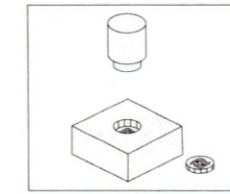
装配 assembly



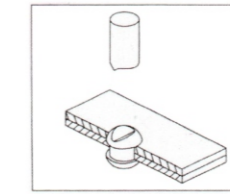
冲孔 punching



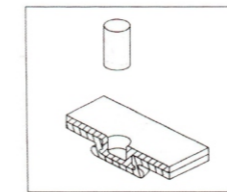
切断 cut off



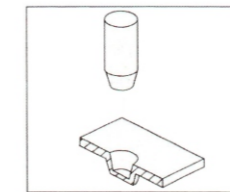
成型 forming



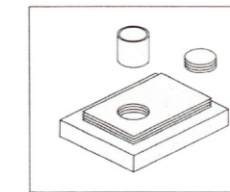
铆接 riveting



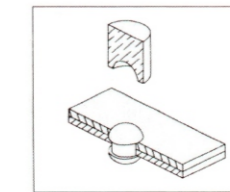
铆接 riveting



压型 press



裁断 cut



铆合 Riveting



可加装装置 Equipment that can be installed



压力传感器
Pressure Sensor



压力显示器
Pressure Indicator



温控仪
Temperature Controller



安全光栅
safety grating

如果有特殊要求，请联系我们定做!

If you have special requirements, please contact us to customize!

可定做部件 custom parts

- | | |
|------------------|----------------------------------|
| 1, 压力大小, 最大可达60吨 | 1, Pressure size, up to 60 tons |
| 2, 气缸行程 | 2, Cylinder stroke |
| 3, 气缸可调行程 | 3, Adjustable stroke of cylinder |
| 4, 最大工作高度 | 4, Maximum working height |
| 5, 模柄孔尺寸 | 5, Die handle hole size |
| 6, 工作台面积 | 6, Area of working bench |
| 7, 保压时间 | 7, compress time |
| 8, 模具 | 8, mold |

压力机型号说明 Press Model Description

Y D C - 63 A K D Z

YIIDNN品牌代码
YIIDNN brand code

压力机类型代码
press type code

- 空白-单柱压力机
blank-single column press
- H-小双柱压力机
H-small double-column press
- T-大双柱压力机
T-large double-column press
- F-四柱压力机
F-four-column press
- C-C型压力机
C-C type press

空白-常规气缸
blank-pneumatic cylinder

Z-气液增压缸
Z-Gas-liquid booster cylinder

B-倍力缸
B-Double force cylinder

D-双按钮
D-double button

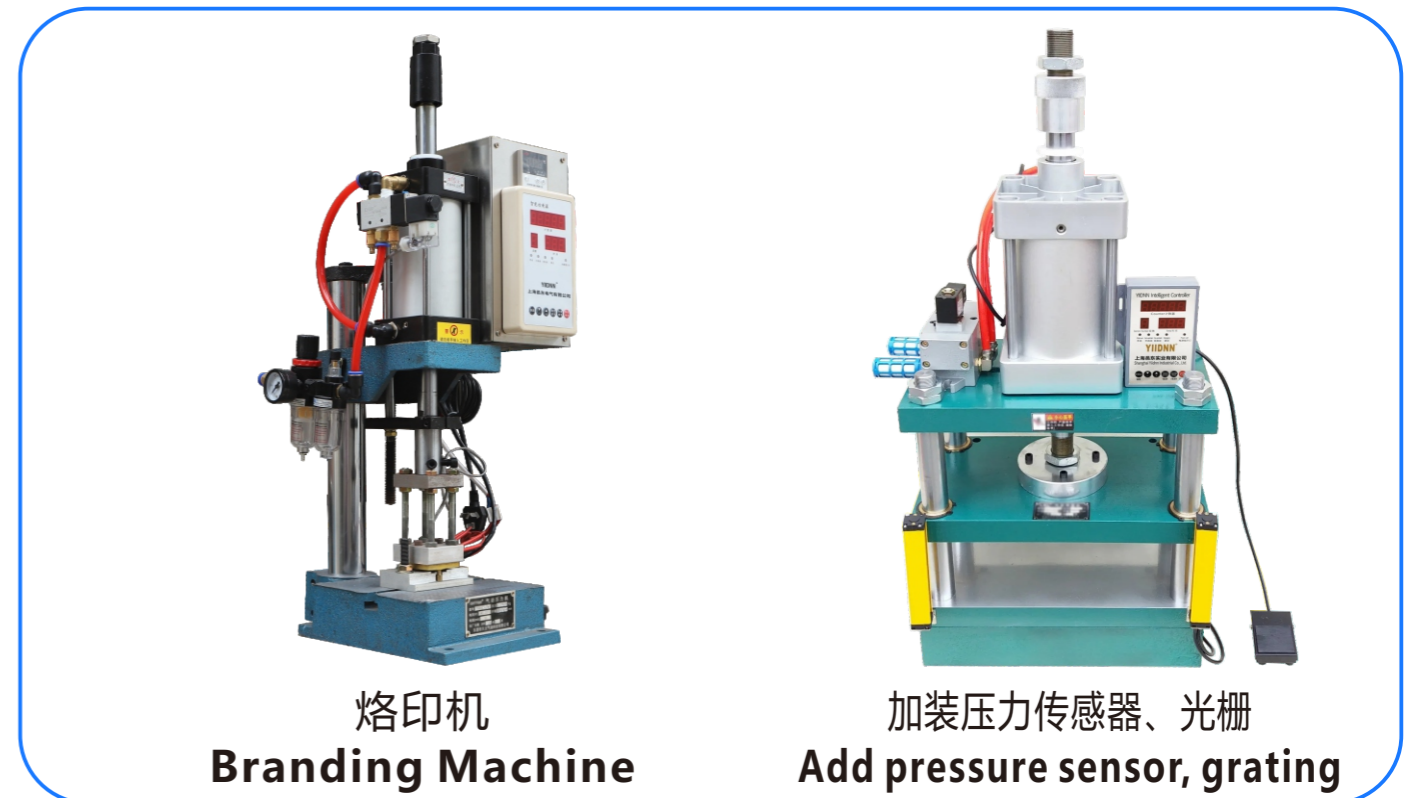
K-控制器
K-controller

A-大尺寸工作台
A-large size workbench

50/63/80/100/125/160/200-缸径
50/63/80/100/125/160/200-bore

1T/2T/3T/5T/10T/20T/40T/50T/60T-压力
1T/2T/3T/5T/10T/20T/40T/50T/60T-pressure

倍力缸的压力是常规气缸的2倍
The pressure of the double force cylinder is twice that of the conventional cylinder.



烙印机
Branding Machine

加装压力传感器、光栅
Add pressure sensor, grating



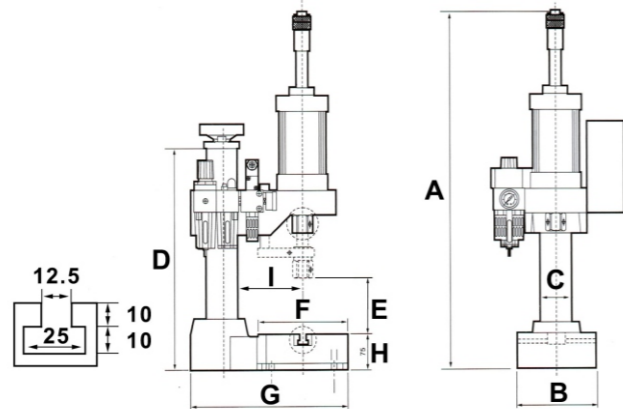
多气缸压力机
Multi-cylinder press

带滑动推板压力机
Sliding push board pressure machine

YD型单柱气动压力机
YD type single-column pneumatic press

外形尺寸图 Overall dimension drawing

型号 Model	A	B	C	D	E	F	G	H	I
YD-50	580	125	30	350	150	125	195	35	90
YD-63	690	135	30	350	200	150	230	35	90
YD-80	750	150	45	400	220	150	280	70	100
YD-100	950	200	55	450	250	200	380	80	150
YD-125	980	260	65	500	250	260	460	90	170
YD-160	980	260	70	550	250	260	460	90	170



YD型单柱气动压力机主要技术参数 Main technical parameters of YD single-column pneumatic press

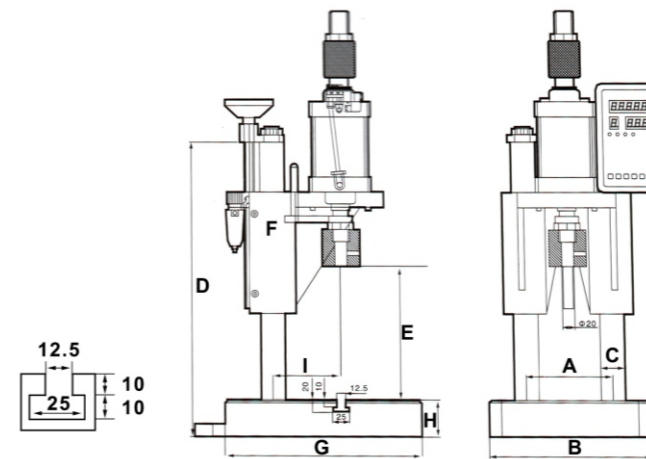
型号 Model	YD-50	YD-63	YD-63A	YD-80	YD-80A	YD-100	YD-125	YD-160
公称力 Pressure(KN/kg)	1.2/120	2/200	2/200	3/300	3/300	5/500	8/800	13/1300
最大工作高度 Maximum working height	200mm	200mm	230mm	240mm	250mm	250mm	280mm	280mm
气缸规格 Cylinder specifications (mm)	Φ50×50	Φ63×75	Φ63×75	Φ80×100	Φ80×100	Φ100×100	Φ125×100	Φ160×100
气缸可调行程 Adjustable stroke of cylinder	50mm	50mm	50mm	50mm	50mm	50mm	50mm	50mm
工作台面积 Area of working bench (mm)	125×125	150×135	150×150	150×150	200×200	200×200	260×260	260×260
模柄孔尺寸 Die handle hole size (mm)	Φ16	Φ16	Φ16	Φ20	Φ20	Φ20	Φ25	Φ25
气管规格 PU hose specifications	8×5	8×5	8×5	10×6.5	10×6.5	10×6.5	12×8	12×8
重量 Weight (kg)	14	17	28	32	45	48	80	95
电源 Power (V)	AC110/220 50~60Hz	AC110/220 50~60Hz	AC110/220 50~60Hz	AC110/220 50~60Hz	AC110/220 50~60Hz	AC110/220 50~60Hz	AC110/220 50~60Hz	AC110/220 50~60Hz
操作压力 Operating Pressure (Mpa)	0.4~0.7	0.4~0.7	0.4~0.7	0.4~0.7	0.4~0.7	0.4~0.7	0.4~0.7	0.4~0.7
0.4Mpa (理论压力 Theoretic pressure)	0.66KN	1.12KN	1.12KN	1.81KN	1.81KN	2.94KN	4.59KN	7.54KN
0.5Mpa (理论压力 Theoretic pressure)	0.82KN	1.40KN	1.40KN	2.27KN	2.27KN	3.68KN	5.73KN	9.42KN
0.6Mpa (理论压力 Theoretic pressure)	0.99KN	1.68KN	1.68KN	2.72KN	2.72KN	4.42KN	6.88KN	11.31KN
0.7Mpa (理论压力 Theoretic pressure)	1.15KN	1.96KN	1.96KN	3.17KN	3.17KN	5.15KN	8.03KN	13.19KN

实际出力约为理论出力的80% The actual output is about 80% of theoretical output

YD型双柱气动压力机
YD type double column pneumatic press

外形尺寸图 Overall dimension drawing

型号 Model	A	B	C	D	E	F	G	H	I
YDH-63	240	90	30	Φ16	65	270	415	300	40
YDH-80	240	90	45	Φ20	65	270	415	300	40
YDH-100	240	90	55	Φ20	65	270	415	300	40
YDH-125	260	90	65	Φ20	65	290	435	300	45
YDH-160	260	90	70	Φ25	65	290	485	300	50



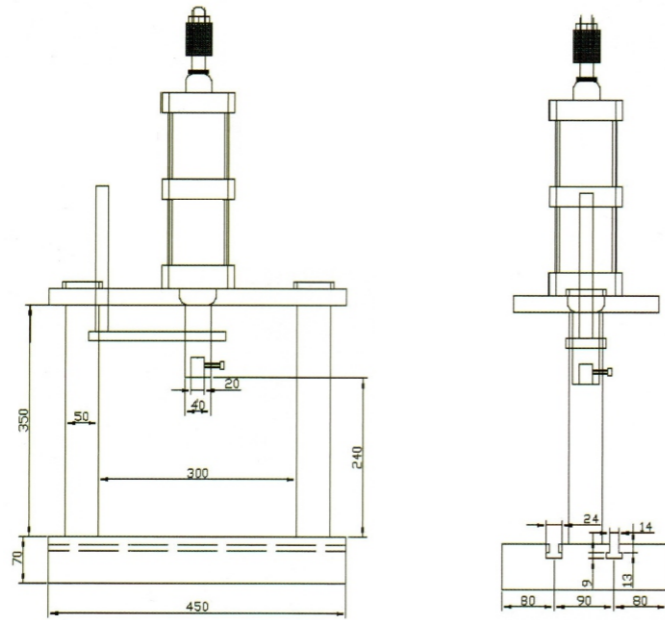
YDH型小双柱气动压力机技术参数
Technical parameters of YDH type small double-column pneumatic press

型号 Model	YDH-63	YDH-80	YDH-100	YDH-125	YDH-160	YDH-100B	YDH-125B	YDH-160B
公称力 Pressure(KN/kg)	2/200	3/300	5/500	8/800	13/1300	10/1000	16/1600	26/2600
最大工作高度 Maximum working height	300mm	300mm	300mm	300mm	300mm	300mm	300mm	300mm
气缸规格 Cylinder specifications (mm)	Φ63×75	Φ80×100	Φ100×100	Φ125×100	Φ160×100	Φ100×100	Φ125×100	Φ160×100
气缸可调行程 Adjustable stroke of cylinder	50mm	50mm	50mm	50mm	50mm	50mm	50mm	50mm
工作台面积 Area of working bench (mm)	270×240	270×240	270×240	290×260	290×260	270×240	290×260	290×260
模柄孔尺寸 (mm)	Φ16	Φ20	Φ20	Φ25	Φ25	Φ20	Φ25	Φ25
气管规格 PU hose specifications	8×5	10×6.5	10×6.5	12×8	12×8	10×6.5	12×8	12×8
重量 Weight (kg)	60	63	65	75	85	70	80	90
电源 Power (V)	AC110/220 50~60Hz	AC110/220 50~60Hz	AC110/220 50~60Hz	AC110/220 50~60Hz	AC110/220 50~60Hz	AC110/220 50~60Hz	AC110/220 50~60Hz	AC110/220 50~60Hz
操作压力 Operating Pressure (Mpa)	0.4~0.7	0.4~0.7	0.4~0.7	0.4~0.7	0.4~0.7	0.4~0.7	0.4~0.7	0.4~0.7
0.4Mpa (理论压力 Theoretic pressure)	1.12KN	1.81KN	2.94KN	4.59KN	7.54KN	5.88KN	9.18KN	15.08KN
0.5Mpa (理论压力 Theoretic pressure)	1.40KN	2.27KN	3.68KN	5.73KN	9.42KN	7.36KN	11.46KN	18.84KN
0.6Mpa (理论压力 Theoretic pressure)	1.68KN	2.72KN	4.42KN	6.88KN	11.31KN	8.84KN	13.76KN	22.62KN
0.7Mpa (理论压力 Theoretic pressure)	1.96KN	3.17KN	5.15KN	8.03KN	13.19KN	10.30KN	16.06KN	26.38KN

实际出力约为理论出力的80% The actual output is about 80% of theoretical output



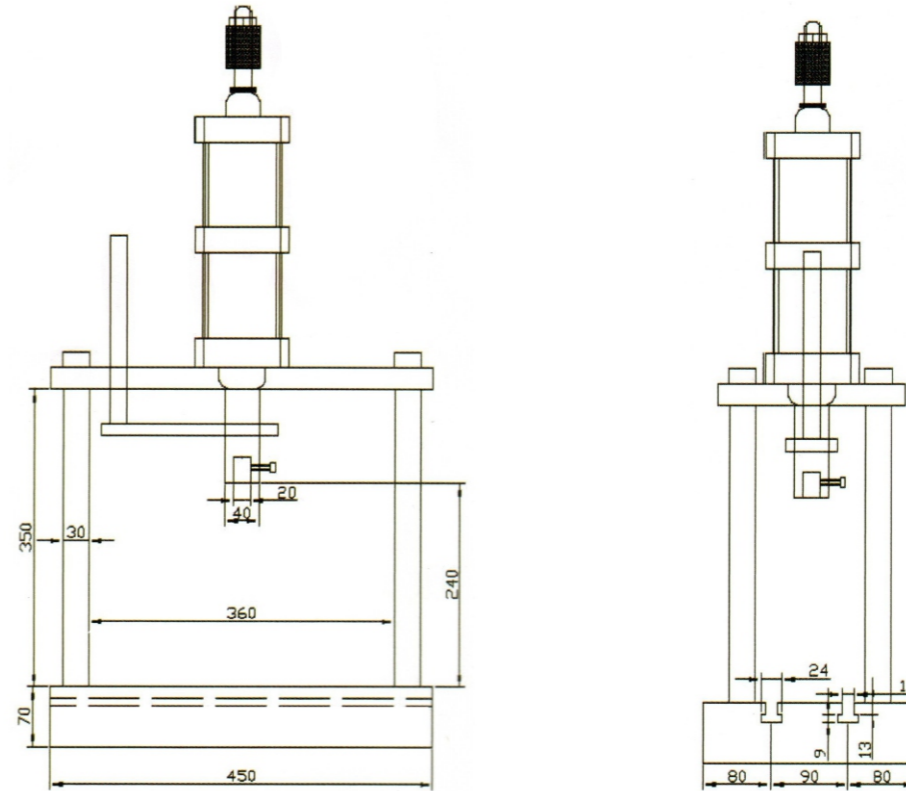
YDT型大双柱气动压力机
YDT large double-column pneumatic press



YDT型大双柱气动压力机技术参数
Technical parameters of YDT large double-column pneumatic press

型号 Model	YDT-100	YDT-125	YDT-160	YDT-200	YDT-250
公称力 Pressure (KN/kg)	5/500	8/800	13/1300	20/2000	25/3000
最大工作高度 Maximum working height	250mm	250mm	250mm	250mm	250mm
气缸规格 Cylinder specifications (mm)	Φ100×100	Φ125×100	Φ160×100	Φ200×100	Φ250×100
气缸可调行程 Adjustable stroke of cylinder	50mm	50mm	50mm	50mm	50mm
工作台面积 Area of working bench (mm)	450×250	450×250	450×250	450×250	450×250
模柄孔尺寸 (mm)	Φ20	Φ25	Φ25	Φ25	Φ25
气管规格 PU hose specifications	10×6.5	12×8	12×8	12×8	12×8
重量 Weight (kg)	75	80	85	90	100
电源 Power (V)	AC110/220 50~60Hz	AC110/220 50~60Hz	AC110/220 50~60Hz	AC110/220 50~60Hz	AC110/220 50~60Hz
操作压力 Operating Pressure (Mpa)	0.4~0.7	0.4~0.7	0.4~0.7	0.4~0.7	0.4~0.7
0.4Mpa (理论压力 Theoretic pressure)	2.94KN	4.59KN	7.54KN	12.06KN	18.85KN
0.5Mpa (理论压力 Theoretic pressure)	3.68KN	5.73KN	9.42KN	15.08KN	23.56KN
0.6Mpa (理论压力 Theoretic pressure)	4.42KN	6.88KN	11.31KN	18.10KN	28.27KN
0.7Mpa (理论压力 Theoretic pressure)	5.15KN	8.03KN	13.19KN	21.11KN	32.98KN
实际出力约为理论出力的80% The actual output is about 80% of theoretical output					

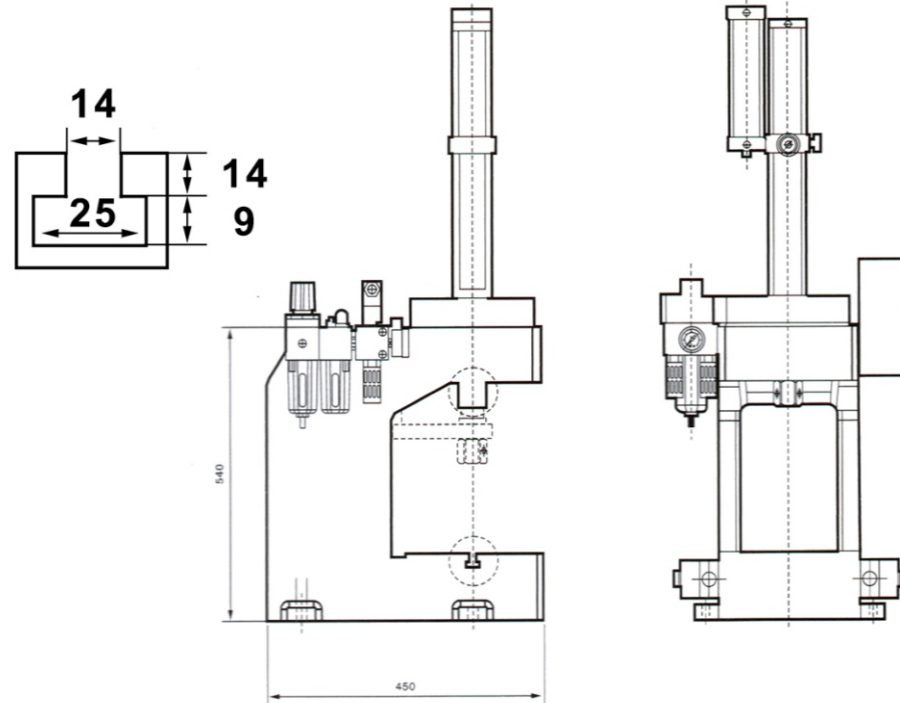
YDF型四柱气动压力机
YDF FOUR-COLUMN PNEUMATIC PRESS



YDF型四柱气动压力机技术参数
TECHNICAL PARAMETERS OF YDF FOUR-COLUMN PNEUMATIC PRESS

型号 Model	YDF-100	YDF-125	YDF-160	YDF-200	YDF-250	YDF-2T	YDF-3T	YDF-5T	YDF-10T	YDF-15T	YDF-20T
公称力 Pressure (KN/T)	5/500	8/800	13/1300	20/2000	30/3000	20/2	30/3	50/5	100/10	150/15	200/20
最大工作高度 Maximum working height	250mm	250mm	250mm	250mm	250mm	270mm	270mm	270mm	270mm	270mm	270mm
气缸规格 Cylinder specifications (mm)	Φ100×100	Φ125×100	Φ160×100	Φ200×100	Φ250×100	50mm	63mm	80mm	100mm	125mm	160mm
快速行程 Rapid stroke	50mm	50mm	50mm	50mm	50mm	100mm	100mm	100mm	100mm	100mm	100mm
增压行程 Supercharging stroke	/	/	/	/	/	20mm	20mm	20mm	20mm	20mm	20mm
工作台面积 Area of working bench (mm)	300×380	300×380	300×380	300×380	350×380	300×380	300×380	300×380	300×380	350×380	350×380
模柄孔尺寸 (mm)	Φ20	Φ25	Φ25	Φ25	Φ25	Φ25	Φ25	Φ25	Φ25	Φ25	Φ25
气管规格 PU hose specifications	10×6.5	12×8	12×8	12×8	12×8	10×6.5	10×6.5	10×6.5	12×8	12×8	12×8
重量 Weight (kg)	150	150	160	160	160	180	180	200	220	240	280
电源 Power (V)	AC110/220 50~60Hz	AC110/220 50~60Hz	AC110/220 50~60Hz	AC110/220 50~60Hz	AC110/220 50~60Hz	AC110/220 50~60Hz	AC110/220 50~60Hz	AC110/220 50~60Hz	AC110/220 50~60Hz	AC110/220 50~60Hz	AC110/220 50~60Hz
操作压力 Operating Pressure (Mpa)	0.4~0.7	0.4~0.7	0.4~0.7	0.4~0.7	0.4~0.7	0.4~0.7	0.4~0.7	0.4~0.7	0.4~0.7	0.4~0.7	0.4~0.7
0.4Mpa (理论压力 Theoretic pressure)	2.94KN	4.59KN	7.54KN	12.06KN	18.85KN	15.70KN	24.93KN	40.19KN	62.80KN	90.00KN	157.00KN
0.5Mpa (理论压力 Theoretic pressure)	3.68KN	5.73KN	9.42KN	15.08KN	23.56KN	19.63KN	31.16KN	50.24KN	78.50KN	112.60KN	196.30KN
0.6Mpa (理论压力 Theoretic pressure)	4.42KN	6.88KN	11.31KN	18.10KN	28.27KN	23.55KN	37.39KN	60.29KN	94.20KN	135.00KN	235.50KN
0.7Mpa (理论压力 Theoretic pressure)	5.15KN	8.03KN	13.19KN	21.11KN	32.98KN	27.48KN	43.62KN	70.34KN	109.90KN	157.60KN	274.80KN
实际出力约为理论出力的80% The actual output is about 80% of theoretical output											

YDC型气动压力机
YDC Type pneumatic press



Официальный дилер в России:
ООО «ПО ИП»
Тел: +7 (812)602-77-08
E-mail: info@poip.ru
www.poip.ru

YDC型C型气动压力机技术参数
Technical parameters of YDC type C type pneumatic press

型号 Model	YDC-100	YDC-125	YDC-160	YDC-200	YDC-250	YDC-2T	YDC-3T	YDC-5T	YDC-10T
公称力Pressure(KN/kg)	5/500	8/800	13/1300	20/2000	30/3000	20/2000	30/3000	50/3000	50/3000
最大工作高度 Maximum working height	210mm	210mm	260mm	270mm	270mm	270mm	270mm	270mm	270mm
气缸规格 Cylinder specifications(mm)	Φ100×100	Φ125×100	Φ160×100	Φ200×100	Φ250×100	50mm	63mm	80mm	100mm
气缸可调行程 Adjustable stroke of cylinder	50mm	50mm	50mm	50mm	50mm	/	/	/	/
增压行程 Supercharging stroke	/	/	/	/	/	20mm	20mm	20mm	20mm
工作台面积 Area of working bench (mm)	320×270	320×270	320×270	360×280	360×300	320×270	320×270	360×270	400×290
模柄孔尺寸(mm)	Φ20	Φ20	Φ25	Φ25	Φ25	Φ25	Φ25	Φ25	Φ25
气管规格PU hose specifications	10×6.5	12×8	12×8	12×8	12×8	10×6.5	10×6.5	10×6.5	12×8
重量Weight(kg)	100	100	120	130	150	140	145	150	190
电源 Power (V)	AC110/220 50~60Hz	AC110/220 50~60Hz	AC110/220 50~60Hz	AC110/220 50~60Hz	AC110/220 50~60Hz	AC110/220 50~60Hz	AC110/220 50~60Hz	AC110/220 50~60Hz	AC110/220 50~60Hz
操作压力 Operating Pressure (Mpa)	0.4~0.7	0.4~0.7	0.4~0.7	0.4~0.7	0.4~0.7	0.4~0.7	0.4~0.7	0.4~0.7	0.4~0.7
0.4Mpa (理论压力Theoretic pressure)	2.94KN	4.59KN	7.54KN	12.06KN	18.85KN	12.06KN	24.93KN	40.19KN	40.19KN
0.5Mpa (理论压力Theoretic pressure)	3.68KN	5.73KN	9.42KN	15.08KN	23.56KN	15.08KN	31.16KN	50.24KN	50.24KN
0.6Mpa (理论压力Theoretic pressure)	4.42KN	6.88KN	11.31KN	18.1KN	28.27KN	18.10KN	37.39KN	60.29KN	60.29KN
0.7Mpa (理论压力Theoretic pressure)	5.15KN	8.03KN	13.19KN	21.11KN	32.98KN	21.11KN	43.62KN	70.34KN	70.34KN

实际出力约为理论输出的80% The actual output is about 80% of theoretical output