

FINN•POWER

CRIMPING MACHINES

quality for professionals



Finn-Power quality:	
	Accuracy
	Reliability
	Flexibility
	Productivity
Worldwide distribution network	



Finn-Power crimping machines are manufactured using the state-of-the-art manufacturing equipment and technology. The precision manufactured parts together with our engineering and assembly expertise, combined with our quality control and final testing procedures, result as, reliable and accurate crimping machines for your production needs. We make the quality for you.

Finn-Power crimping machines are produced by Lillbacka Powerco with 40 years of manufacturing experience of crimping machines. Finn-Power products have been developed to meet the requirements in a variety of different industries. They are used globally in such industries as hydraulic hoses, automotive components, construction equipment, heavy machinery, railroad, marine, electric power transmission, industrial hoses and tube, pipe, wire and cable industry, etc. Generally where ever metals, plastics, rubber, fiberglass, wood and ropes are joined or formed Finn-Power products are being used.

Finn-Power products offer the highest and most dependable quality thanks to the many years of experience in product design, engineering, development and manufacturing. Products are designed and produced with an eye on customer's productivity. The operator friendly functions make them easy to use while providing reliability and long-life.

The outstanding driving force behind the success of Finn-Power products lies in the many professional and skilled personnel with a go-ahead attitude, driven by a strong willingness to be of service to our global customers who have standardized on the Finn-Power products.

FINN-POWER

Crimping since 1973

Crimping is an easy, fast and cost effective method for joining and forming parts.

Finn-Power crimping machines are reliable, accurate and flexible machines with easy and fast set up times and multiple cost effective tooling options. These factors have made Finn-Power machines well accepted among manufactures in numerous industries world wide.

More than you can imagine

Crimping, joining, forming:

Tubes & pipes

Wires & Cables

Hoses & Ropes

Plastic & Fiberglass

Rubber etc.

Finn-Power marking dies offer the capability to imprint alpha/numeric characters during the crimping operation.



Special die sets can be made for virtually any diameter, length or shape.

The benefit of special die sets is the ability to allow more versatile usage of the crimping machines.



FINN-POWER

Crimping since 1973

Constant development to offer the latest technologies and features keeps Finn-Power in the leading edge of crimping machine controls. Finn-Power controls are well-known for their ease of use and wide range of features.

MS control

MS control is best suited for single-piece production. The MS control is the most basic and easy to use control offered by Finn-Power. However, the best feature is its interactivity: MS control can be taught the opening. When the desired opening is set the machine will remember it and work semi-automatically.



UC control

Finn-Power UC control is a modern user interface based on icons, a selector and clear, visual display of all crimping parameters. UC control has exact and logical navigation. All most commonly used functions are easily accessible. Tool Change Wizard tells when the die set has to be changed and guides the operator during the die change.

The stand-by function saves energy. Machine runs only when crimping is started and turns to the powersave mode after a set time. Other features are the connectivity via ethernet and USB ports and expandability. Various different options enable pressure crimping, step crimping and online quality control.

UC standard features:

Diameter crimping
Manual / automatic mode
Die position displayed
Energy saving mode
Data storage
USB-connection
asc./desc. counters
Tool Change Wizard



UC1

Finn-Power UC1 option package is ideal solution when crimping is done according to force instead of crimping based on diameter.

Pressure control can be used when parts have large tolerances or when sensitive materials need to be crimped.

In pressure crimping the dies will stop according to the set pressure. Crimping by diameter can be used as well.



UC2

When part has to be crimped into several different diameters, UC2 option is beyond comparison.

Multi-step crimping is done according to crimping diameter or crimping pressure.

Crimping diameter or crimping pressure is set individually to each step, as well as the retraction diameter.



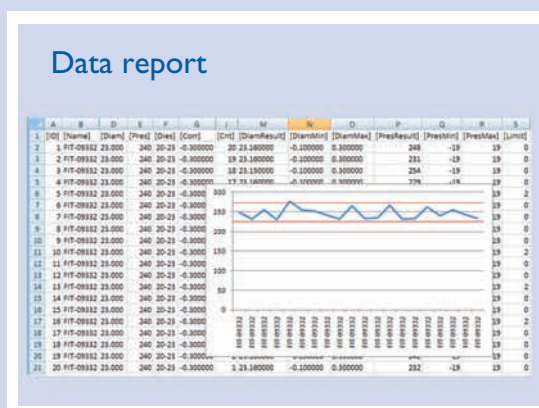
UC3

Finn-Power UC3 includes all options for pressure crimping, multi-step crimping and online quality monitoring. Online quality monitoring controls the crimping quality during production.

Monitoring function has adjustable limits for the crimping result. If the crimping result is not within set limits, the control e.g. stops the machine.

The monitoring screen displays the adjusted crimping parameters, limiting values, measurement results and the bars for visualizing the crimping result.

UC3 saves the measurement results and crimping parameters automatically to the control memory from which they can be transferred by using USB or Ethernet (FTP protocol).



Extras

- FTP -connection to network
- bar code
- modbus

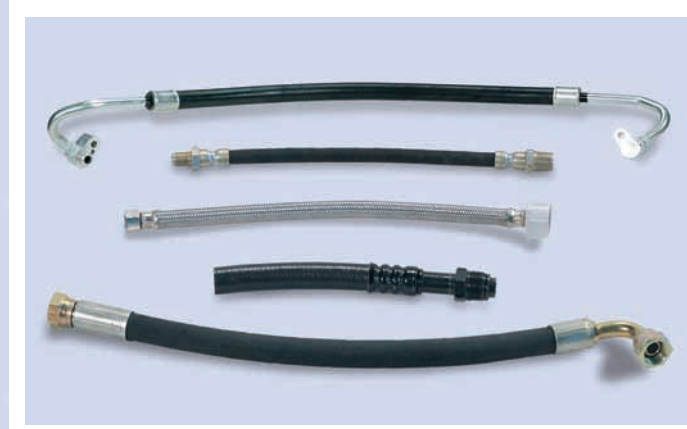


P16HP

Finn-Power's portable crimping machines are designed for field service when repairs must be made on-site. Finn-Power's service machines are simple and straight-forward in construction, easy to operate, and highly reliable.

The light weight of Finn-Power's service machines allows the portable units to be easily carried to any location.

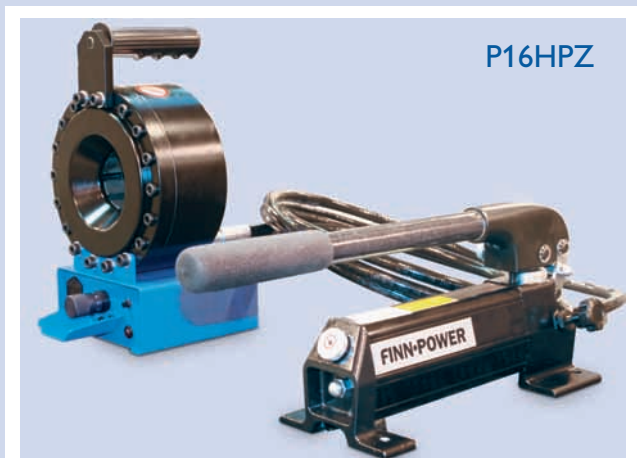
	P16HP	P16AP
Crimping range (mm) ¹⁾	10-45	10-45
Crimping range (inch) ¹⁾	0.39-1.77	0.39-1.77
Max. crimping force (kN)	955	955
Max. crimping force (tonnage)	95	95
Number of crimpings/hour ²⁾	-	-
Hose size ID (inch)	1	1
Die set ³⁾	P16	P16
Max. opening (mm) ⁴⁾	+20	+20
Master die D/L (mm)	39 / 64	39 / 64
Master die D/L (inch)	1.54 / 2.52	1.54 / 2.51
Control	manual	manual
Motor (kW)	hand pump	air pressure
Motor (HP)	hand pump	air pressure
SIZE: length (mm)	331	331
width (mm)	401	346
height (mm)	271	271
SIZE: length (inch)	13.1	13.1
width (inch)	15.7	13.6
height (inch)	10.7	10.7
Weight (kg)	26	28
Weight (lbs)	57	62



- 1) With standard dies. Crimping range can be increased with special dies.
- 2) Theoretical with 10 mm cycle
- 3) See table for die set data
- 4) Maximum opening is the total die travel. Add this value to the minimum crimping diameter of the die set used. The result is the maximum opening of the machine with die set in place.



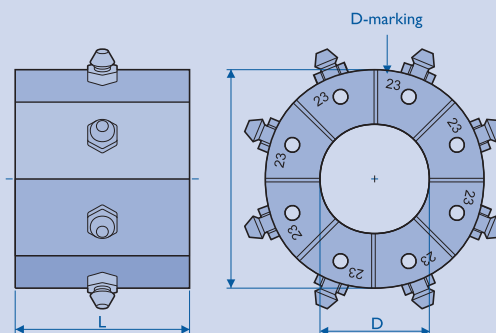
P16AP



P16HPZ



P16HPZ



18212/xx
P16

Pno	Crimping range	D	L
18212/10	10.0 - 12.0	10	55
18212/12	12.0 - 14.0	12	55
18212/14	14.0 - 16.0	14	55
18212/16	16.0 - 19.0	16	55
18212/19	19.0 - 23.0	19	55
18212/23	23.0 - 27.0	23	55
18212/27	27.0 - 31.0	27	65
18212/31	31.0 - 38.0	31	65



P20HP

Options:

QC-Tool

Mechanical back stop device



	P20HP	P20AP	P20CS	P32CS
Crimping range (mm) ¹⁾	10-61	10-61	10-61	10-87
Crimping range (inch) ¹⁾	0.39-2.40	0.39-2.40	0.39-2.40	0.39-3.42
Max. crimping force (kN)	1370	1370	1370	2000
Max. crimping force (tonnage)	137	137	137	200
Number of crimpings/hour ²⁾	-	-	250	150
Hose size ID (inch)	1½	1½	1½	2
Die set ³⁾	P20	P20	P20	P32
Max. opening (mm) ⁴⁾	+25	+25	+25	+33
Master die D/L (mm)	84 / 80	84 / 80	84 / 80	99 / 80
Master die D/L (inch)	3.31 / 3.15	3.31 / 3.15	3.31 / 3.15	3.90 / 3.15
Control	manual	manual	MS	MS
Motor (kW)	hand pump	air pressure	1.6 / 2.2 ⁵⁾	1.6 / 2.2 ⁵⁾
Motor (HP)	hand pump	air pressure	2.1 / 3.0 ⁵⁾	2.1 / 3.0 ⁵⁾
SIZE: length (mm)	487	571	571	626
width (mm)	441	477	533	543
height (mm)	389	345	387	421
SIZE: length (inch)	19.2	22.3	22.3	24.9
width (inch)	17.4	18.8	20.6	21.5
height (inch)	15.4	13.4	15.2	16.8
Weight (kg)	66	59	83	116
Weight (lbs)	146	130	183	256

- 1) With standard dies. Crimping range can be increased with special dies.
- 2) Theoretical with 10 mm cycle
- 3) See table for die set data
- 4) Maximum opening is the total die travel. Add this value to the minimum crimping diameter of the die set used. The result is the maximum opening of the machine with die set in place.
- 5) 12V / 24V. Overload controlled.



P20 series of crimping machines represent the "lightweights" of the Finn-Power range. They are simple and straightforward in construction, easy to operate, and can easily be carried to where they are needed. The most popular applications for these portable Finn-Power crimping machines are in repair shops and in industrial maintenance units.

18013 /xx
P20

Pno	Crimping range	D	L
18013/10	10.0 - 12.0	10	55
18013/12	12.0 - 14.0	12	55
18013/14	14.0 - 16.0	14	55
18013/16	16.0 - 19.0	16	55
18013/19	19.0 - 23.0	19	55
18013/23	23.0 - 27.0	23	55
18013/27	27.0 - 31.0	27	70
18013/31	31.0 - 36.0	31	70
18013/36	36.0 - 41.0	36	75
18013/41	41.0 - 47.0	41	75
18013/47	47.0 - 54.0	47	85
18013/54	54.0 - 61.0	54	85

18506/xx
P32

Pno	Crimping range	D	L
18506/10	10.0 - 12.0	10	55
18506/12	12.0 - 14.0	12	55
18506/14	14.0 - 16.0	14	55
18506/16	16.0 - 19.0	16	55
18506/19	19.0 - 22.0	19	55
18506/22	22.0 - 26.0	22	70
18506/26	26.0 - 30.0	26	70
18506/30	30.0 - 34.0	30	70
18506/34	34.0 - 39.0	34	75
18506/39	39.0 - 45.0	39	75
18506/45	45.0 - 51.0	45	90
18506/51	51.0 - 57.0	51	90
18506/57	57.0 - 63.0	57	100
18506/63	63.0 - 69.0	63	110
18506/69	69.0 - 75.0	69	110
18506/74	74.0 - 80.0	74	110
18506/78	78.0 - 87.0	78	110



P20HP



P20AP



20MS

	P20X	20
Crimping range (mm) ¹⁾	10-61	10-61
Crimping range (inch) ¹⁾	0.39-2.40	0.39-2.40
Max. crimping force (kN)	1370	1370
Max. crimping force (tonnage)	137	137
Number of crimpings/hour ²⁾	258 / 530 ⁵⁾	250 / 850 ⁵⁾
Hose size ID (inch)	1½	1½
Die set ³⁾	P20	P20
Max. opening (mm) ⁴⁾	+25	+25
Master die D/L (mm)	84 / 80	84 / 80
Master die D/L (inch)	3.31 / 3.15	3.31 / 3.15
Control	MS	MS / UC
Motor (kW)	1.5 / 2.2 ⁵⁾	1.5 / 3 ⁵⁾
Motor (HP)	2.0 / 3.0 ⁵⁾	2.0 / 4.0 ⁵⁾
SIZE: length (mm)	525	800
width (mm)	515	630
height (mm)	564	637
SIZE: length (inch)	20.7	31.5
width (inch)	20.3	24.8
height (inch)	22.3	25.1
Weight (kg)	110	157
Weight (lbs)	243	346

Options:
QC-Tool
* Foot pedal
* Electric back stop device
Mechanical back stop device
** UC1, UC2

* not available in P20X-model
 ** not available in P20X and MS-models



- 1) With standard dies. Crimping range can be increased with special dies.
- 2) Theoretical with 10 mm cycle
- 3) See table for die set data
- 4) Maximum opening is the total die travel. Add this value to the minimum crimping diameter of the die set used. The result is the maximum opening of the machine with die set in place.
- 5) 1-phase / 3-phase

Finn-Power MS and UC controls represent the most advanced crimping controls in the market. An interactive MS can be taught the opening and UC control consists the possibility to be extended with various targets.

Both models save energy with their powersave mode and environment by using eco-friendly rapeseed oil.

An entirely novel construction makes it possible to use the machine both right and left handed and feeding direction can be from front and back. Also normal service actions can be made easily.



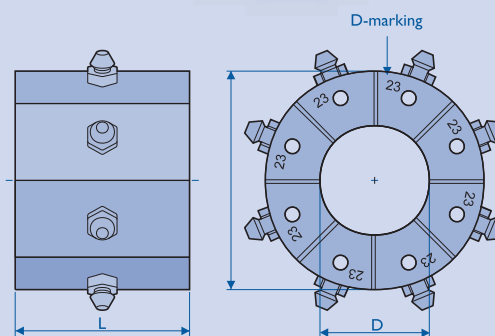
20UC



P20X



20UC



18013 /xx
P20

Pno	Crimping range	D	L
18013/10	10.0 - 12.0	10	55
18013/12	12.0 - 14.0	12	55
18013/14	14.0 - 16.0	14	55
18013/16	16.0 - 19.0	16	55
18013/19	19.0 - 23.0	19	55
18013/23	23.0 - 27.0	23	55
18013/27	27.0 - 31.0	27	70
18013/31	31.0 - 36.0	31	70
18013/36	36.0 - 41.0	36	75
18013/41	41.0 - 47.0	41	75
18013/47	47.0 - 54.0	47	85
18013/54	54.0 - 61.0	54	85

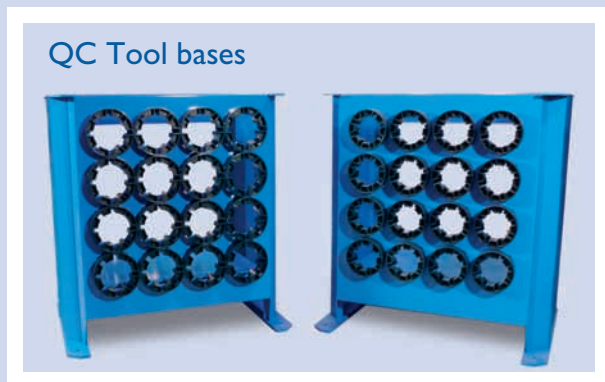


32MS

	P32X	32
Crimping range (mm) ¹⁾	10-87	10-87
Crimping range (inch) ¹⁾	0.39-3.42	0.39-3.42
Max. crimping force (kN)	2000	2000
Max. crimping force (tonnage)	200	200
Number of crimpings/hour ²⁾	134 / 411 ⁶⁾	200 / 850 ⁶⁾
Hose size ID (inch)	2	2
Die set ³⁾	P32	P32
Max. opening (mm) ⁴⁾	+33	+33
Master die D/L (mm)	99 / 80	99 / 80
Master die D/L (inch)	3.90 / 3.15	3.90 / 3.15
Control	MS	MS / UC
Motor (kW)	1.5 / 2.2 ⁵⁾	1.5 / 4 ⁵⁾
Motor (HP)	2.0 / 3.0 ⁵⁾	2.0 / 5.5 ⁵⁾
SIZE: length (mm)	632	800
width (mm)	521	630
height (mm)	567	637
SIZE: length (inch)	24.9	31.5
width (inch)	20.6	24.8
height (inch)	22.4	25.1
Weight (kg)	150	205
Weight (lbs)	331	550

Options:
QC-Tool
* Foot pedal
* Electric back stop device
Mechanical back stop device
** UC1, UC2

* not available in P32X-model
 ** not available in P32X and MS-models



- 1) With standard dies. Crimping range can be increased with special dies.
- 2) Theoretical with 10 mm cycle
- 3) See table for die set data
- 4) Maximum opening is the total die travel. Add this value to the minimum crimping diameter of the die set used. The result is the maximum opening of the machine with die set in place.
- 5) 12V / 24V. Overload controlled.
- 6) 1-phase / 3-phase

Finn-Power 32MS and 32UC has the same fabulous crimping features as the 20 series of crimping machines. They are mid-range in terms of power, but compact from the point of view of space requirements.

32 machines provide 2000 kN crimping force in a highly compact, ergonomical design.

They are ideally suited for single-piece production in machine shops, repair workshops etc.

All table-top machines can be mounted on a QC Tool Base. Up to 16 die sets can be stored in a base for operator convenience.

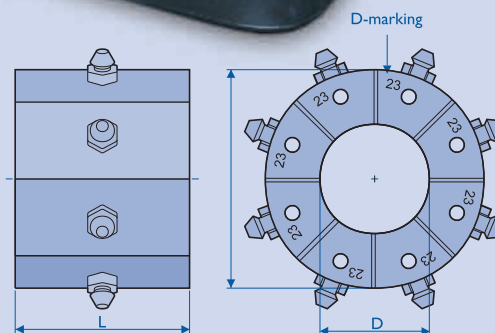
32UC



P32CS



P32X



18506/xx
P32

Pno	Crimping range	D	L
18506/10	10.0 - 12.0	10	55
18506/12	12.0 - 14.0	12	55
18506/14	14.0 - 16.0	14	55
18506/16	16.0 - 19.0	16	55
18506/19	19.0 - 22.0	19	55
18506/22	22.0 - 26.0	22	70
18506/26	26.0 - 30.0	26	70
18506/30	30.0 - 34.0	30	70
18506/34	34.0 - 39.0	34	75
18506/39	39.0 - 45.0	39	75
18506/45	45.0 - 51.0	45	90
18506/51	51.0 - 57.0	51	90
18506/57	57.0 - 63.0	57	100
18506/63	63.0 - 69.0	63	110
18506/69	69.0 - 75.0	69	110
18506/74	74.0 - 80.0	74	110
18506/78	78.0 - 87.0	78	110



P51MS

	P51	P60
Crimping range (mm) ¹⁾	10-87(124) ⁵⁾	10-87(124) ⁵⁾
Crimping range (inch) ¹⁾	0.39-3.42(4.88) ⁵⁾	0.39-3.42(4.88) ⁵⁾
Max. crimping force (kN)	2800	2600
Max. crimping force (tonnage)	280	260
Number of crimpings/hour ²⁾	720	720
Hose size ID (inch)	2½ / 4 ⁶⁾	2½ / 4 ⁶⁾
Die set ³⁾	P32 ⁵⁾	P32 ⁵⁾
Max. opening (mm) ⁴⁾	+46	+64
Master die D/L (mm)	140 / 120	140 / 120
Master die D/L (inch)	5.52 / 4.73	5.52 / 4.73
Control	MS / UC	MS / UC
Motor (kW)	4	4
Motor (HP)	5.5	5.5
SIZE: length (mm)	706	706
width (mm)	473	473
height (mm)	758	758
SIZE: length (inch)	27.8	27.8
width (inch)	18.7	18.7
height (inch)	29.9	29.9
Weight (kg)	260	260
Weight (lbs)	573	573

Options:
QC-Tool
* Foot pedal
* Electric back stop device
Mechanical back stop device
* UC1, UC2

* not available in MS-model



Back stop device

- 1) With standard dies. Crimping range can be increased with special dies.
- 2) Theoretical with 10 mm cycle
- 3) See table for die set data
- 4) Maximum opening is the total die travel. Add this value to the minimum crimping diameter of the die set used. The result is the maximum opening of the machine with die set in place.
- 5) FP140 dies can be used without adapter dies
- 6) Hydraulic hose / industrial hose

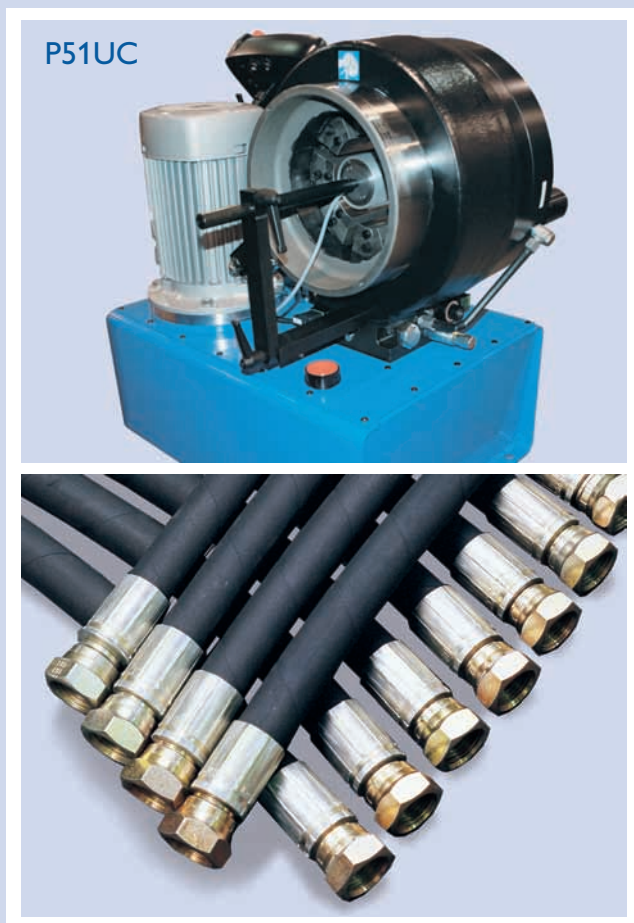
Finn-Power P51 and P60 models are the strongest table top machines in Finn-Power general machine line. Their wide opening makes it possible to crimp industrial hoses up to 4".

As there is no axial movement of the dies during the crimping, positioning is easy and accurate. Further, the control unit can be turned within 100 degrees to suit operator's preferences.

Finn-Power UC control extends these models' targets of use by giving the possibility to make a crimp according to a diameter and/or pressure.



P60UC



P51UC

18506/xx
P32

Pno	Crimping range	D	L
18506/10	10.0 - 12.0	10	55
18506/12	12.0 - 14.0	12	55
18506/14	14.0 - 16.0	14	55
18506/16	16.0 - 19.0	16	55
18506/19	19.0 - 22.0	19	55
18506/22	22.0 - 26.0	22	70
18506/26	26.0 - 30.0	26	70
18506/30	30.0 - 34.0	30	70
18506/34	34.0 - 39.0	34	75
18506/39	39.0 - 45.0	39	75
18506/45	45.0 - 51.0	45	90
18506/51	51.0 - 57.0	51	90
18506/57	57.0 - 63.0	57	100
18506/63	63.0 - 69.0	63	110
18506/69	69.0 - 75.0	69	110
18506/74	74.0 - 80.0	74	110
18506/78	78.0 - 87.0	78	110

18860/xx
FP140

Pno	Crimping range	D	L
18860/84	84.0 - 92.0	84	110
18860/92	92.0 - 100.0	92	110
18860/100	100.0 - 108.0	100	110
18860/108	108.0 - 116.0	108	110
18860/116	116.0 - 124.0	116	110



Finn-Power 120 is unbeaten in terms of speed, precision, durability and quality.

Hydraulic- and crimping units are separated for allowing optimal use of space. Finn-Power 120's operating unit with free placing and all-round use possibility enables the machine to be used from front, back and side.

Options:

Auto greasing
Foot pedal
Side table
Die set racks
Connection kit
Oil cooler
Speed adjustment
Pinning support mandrel
UC1, UC2, UC3

	FP20	120	120S
Crimping range (mm) ¹⁾	10-61	10-87	10-87
Crimping range (inch) ¹⁾	0.39-2.67	0.39-3.42	0.39-3.42
Max. crimping force (kN)	1500	2800	2800
Max. crimping force (tonnage)	150	280	280
Number of crimpings/hour ²⁾	2300	2400	3000
Hose size ID (inch)	1½	2	2
Die set ³⁾	P20	P32	P32
Max. opening (mm) ⁴⁾	+68	+68	+68
Master die D/L (mm)	84/97	99/97	99/97
Master die D/L (inch)	3.90/3.82	3.90/3.82	3.90/3.82
Control	UC	UC	UC
Motor (kW)	3	5.5	7.5
Motor (HP)	4.0	7.5	10.0
SIZE: length (mm)	559 / 713	1063 / 713	1063 / 713
width (mm)	700 / 705	737 / 705	737 / 705
height (mm)	1372 / 1059	1589 / 1059	1589 / 1059
SIZE: length (inch)	22 / 28.1	41.9 / 28.1	41.9 / 28.1
width (inch)	27.6 / 27.8	29 / 27.8	29 / 27.8
height (inch)	54 / 41.7	62.6 / 41.7	62.6 / 41.7
Weight (kg)	504 / 182	845 / 182	845 / 182
Weight (lbs)	1111 / 402	1863 / 402	1863 / 402



- 1) With standard dies. Crimping range can be increased with special dies.
- 2) Theoretical with 10 mm cycle
- 3) See table for die set data
- 4) Maximum opening is the total die travel. Add this value to the minimum crimping diameter of the die set used. The result is the maximum opening of the machine with die set in place.



120UC

Finn-Power 120, 140 and 145 models have 3 die racks, side table to the right and a mirror as a standard.



18013 /xx
P20

Pno	Crimping range	D	L
18013/10	10.0 - 12.0	10	55
18013/12	12.0 - 14.0	12	55
18013/14	14.0 - 16.0	14	55
18013/16	16.0 - 19.0	16	55
18013/19	19.0 - 23.0	19	55
18013/23	23.0 - 27.0	23	55
18013/27	27.0 - 31.0	27	70
18013/31	31.0 - 36.0	31	70
18013/36	36.0 - 41.0	36	75
18013/41	41.0 - 47.0	41	75
18013/47	47.0 - 54.0	47	85
18013/54	54.0 - 61.0	54	85



18506/xx
P32

Pno	Crimping range	D	L
18506/10	10.0 - 12.0	10	55
18506/12	12.0 - 14.0	12	55
18506/14	14.0 - 16.0	14	55
18506/16	16.0 - 19.0	16	55
18506/19	19.0 - 22.0	19	55
18506/22	22.0 - 26.0	22	70
18506/26	26.0 - 30.0	26	70
18506/30	30.0 - 34.0	30	70
18506/34	34.0 - 39.0	34	75
18506/39	39.0 - 45.0	39	75
18506/45	45.0 - 51.0	45	90
18506/51	51.0 - 57.0	51	90
18506/57	57.0 - 63.0	57	100
18506/63	63.0 - 69.0	63	110
18506/69	69.0 - 75.0	69	110
18506/74	74.0 - 80.0	74	110
18506/78	78.0 - 87.0	78	110

FP20UC





140UC

Due to the large opening and strength Finn-Power 140 and 145 models are suitable for middle range hydraulic and industrial hoses.

The Finn-Power 145 crimping machine is ideal choice when your operation requires crimping of very long ferrules. It has adapter dies with a length of 120 mm as a standard size.

Options:

Auto greasing
Foot pedal
Side table
Die set racks
Connection kit
Oil cooler
Speed adjustment
Pinning support mandrel
UC1, UC2, UC3

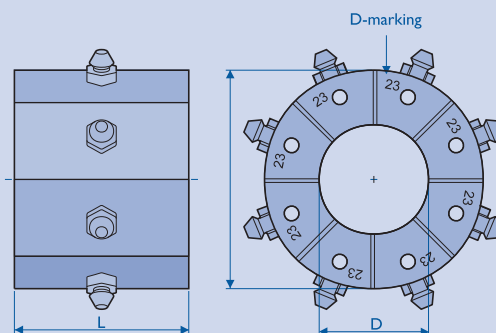
	FP140	FP140S	FP145
Crimping range (mm) ¹⁾	10-124	10-124	10-124
Crimping range (inch) ¹⁾	0.39-4.88	0.39-4.88	0.39-4.88
Max. crimping force (kN)	3200	3200	3500
Max. crimping force (tonnage)	320	320	350
Number of crimpings/hour ²⁾	2000	2500	2400
Hose size ID (inch)	2½ / 4 ⁵⁾	2½ / 4 ⁵⁾	2½ / 4 ⁵⁾
Die set ³⁾	P32 ⁶⁾ / FP140	P32 ⁶⁾ / FP140	P32 ⁶⁾ / FP145
Max. opening (mm) ⁴⁾	+82	+82	+82
Master die D/L (mm)	140/97	140/97	140/116
Master die D/L (inch)	5.52/3.82	5.52/3.82	5.52/4.57
Control	UC	UC	UC
Motor (kW)	5.5	7.5	7.5
Motor (HP)	7.5	10.0	10.0
SIZE: length (mm)	1063 / 713	1063 / 713	1063 / 713
width (mm)	737 / 705	737 / 705	756 / 705
height (mm)	1589 / 1059	1589 / 1059	1589 / 1059
SIZE: length (inch)	41.9 / 28.1	41.9 / 28.1	41.9 / 28.1
width (inch)	29 / 27.8	29 / 27.8	29.8 / 27.8
height (inch)	62.6 / 41.7	62.6 / 41.7	62.6 / 41.7
Weight (kg)	875 / 182	875 / 182	875 / 182
Weight (lbs)	1929 / 402	1929 / 402	1929 / 402



- 1) With standard dies. Crimping range can be increased with special dies.
- 2) Theoretical with 10 mm cycle
- 3) See table for die set data
- 4) Maximum opening is the total die travel. Add this value to the minimum crimping diameter of the die set used. The result is the maximum opening of the machine with die set in place.
- 5) Hydraulic hose / industrial hose
- 6) With adapter dies



145UC



QC Tool

18506/xx
P32

Pno	Crimping range	D	L
18506/10	10.0 - 12.0	10	55
18506/12	12.0 - 14.0	12	55
18506/14	14.0 - 16.0	14	55
18506/16	16.0 - 19.0	16	55
18506/19	19.0 - 22.0	19	55
18506/22	22.0 - 26.0	22	70
18506/26	26.0 - 30.0	26	70
18506/30	30.0 - 34.0	30	70
18506/34	34.0 - 39.0	34	75
18506/39	39.0 - 45.0	39	75
18506/45	45.0 - 51.0	45	90
18506/51	51.0 - 57.0	51	90
18506/57	57.0 - 63.0	57	100
18506/63	63.0 - 69.0	63	110
18506/69	69.0 - 75.0	69	110
18506/74	74.0 - 80.0	74	110
18506/78	78.0 - 87.0	78	110

18860/xx
FP140

Pno	Crimping range	D	L
18860/84	84.0 - 92.0	84	110
18860/92	92.0 - 100.0	92	110
18860/100	100.0 - 108.0	100	110
18860/108	108.0 - 116.0	108	110
18860/116	116.0 - 124.0	116	110

18506/xx
FP145

Pno	Crimping range	D	L
18506/10	10.0 - 12.0	10	55
18506/12	12.0 - 14.0	12	55
18506/14	14.0 - 16.0	14	55
18506/16	16.0 - 19.0	16	55
18506/19	19.0 - 22.0	19	55
18506/22	22.0 - 26.0	22	70
18506/26	26.0 - 30.0	26	70
18506/30	30.0 - 34.0	30	70
18506/34	34.0 - 39.0	34	75
18506/39	39.0 - 45.0	39	75
18506/45	45.0 - 51.0	45	90
18506/51	51.0 - 57.0	51	90
18506/57	57.0 - 63.0	57	100
18506/63L	63.0 - 69.0	63	120
18506/69L	69.0 - 75.0	69	120
18506/74L	74.0 - 80.0	74	120
18506/78L	78.0 - 87.0	78	120

18860/xxL
FP145

Pno	Crimping range	D	L
18860/84L	84.0 - 92.0	84	120
18860/92L	92.0 - 100.0	92	120
18860/100L	100.0 - 108.0	100	120
18860/108L	108.0 - 116.0	108	120
18860/116L	116.0 - 124.0	116	120



FP165 UC HB

	FP160	FP165
Crimping range (mm) ¹⁾	10-202	10-202
Crimping range (inch) ¹⁾	0.39-7.95	0.39-7.95
Max. crimping force (kN)	3500	5000
Max. crimping force (tonnage)	350	500
Number of crimpings/hour ²⁾	1800	1260
Hose size ID (inch)	6	6
Die set ³⁾	P32 ⁵⁾ FP160	P32 ⁵⁾ FP160
Max. opening (mm) ⁴⁾	+125	+125
Master die D/L (mm)	220/116	220/116
Master die D/L (inch)	8.66 / 4.57	8.66 / 4.57
Control	UC	UC
Motor (kW)	5.5	5.5
Motor (HP)	7.5	7.5
SIZE: length (mm)	940 / 600	1060 / 600
width (mm)	860 / 1056	860 / 1056
height (mm)	1780 / 1185	1825 / 1185
SIZE: length (inch)	37. / 23.7	71.8 / 23.7
width (inch)	33.9 / 41.6	33.9 / 41.6
height (inch)	71.9 / 46.7	71.9 / 46.7
Weight (kg)	2000 / 182	2460 / 182
Weight (lbs)	4409 / 402	5423 / 402

Options:
Auto greasing
Die set rack
Oil cooler
Speed adjustment
Remotic control unit
Electric back stop device
Mechanical back stop device
Pinning support mandrel
UC1, UC2, UC3

- 1) With standard dies. Crimping range can be increased with special dies.
- 2) Theoretical with 10 mm cycle
- 3) See table for die set data
- 4) Maximum opening is the total die travel. Add this value to the minimum crimping diameter of the die set used. The result is the maximum opening of the machine with die set in place.
- 5) With adapter dies

Finn-Power FP160 and FP165 models are ideal choices when crimping a variety of sizes and types of assemblies. They are especially suitable for manufacturing large fittings. Their high capacity, flexibility and complementary control options really put these machines in a class of their own.

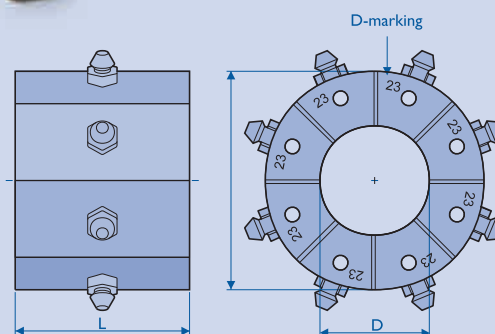
Foot pedal is included as a standard.



FP165 UC



FP160 UC



18852/xx FP160			
Pno	Crimping range	D	L
18852/84	84.0 - 92.0	84	116
18852/92	92.0 - 100.0	92	116
18852/100	100.0 - 108.0	100	116
18852/108	108.0 - 116.0	108	116
18852/116	116.0 - 126.0	116	116
18852/126	126.0 - 136.0	126	116
18852/136	136.0 - 146.0	136	116
18852/146	146.0 - 156.0	146	116
18852/156	156.0 - 166.0	156	116
18852/166	166.0 - 178.0	166	116
18852/178	178.0 - 190.0	178	116
18852/190	190.0 - 202.0	190	116

18506/xx P32			
Pno	Crimping range	D	L
18506/10	10.0 - 12.0	10	55
18506/12	12.0 - 14.0	12	55
18506/14	14.0 - 16.0	14	55
18506/16	16.0 - 19.0	16	55
18506/19	19.0 - 22.0	19	55
18506/22	22.0 - 26.0	22	70
18506/26	26.0 - 30.0	26	70
18506/30	30.0 - 34.0	30	70
18506/34	34.0 - 39.0	34	75
18506/39	39.0 - 45.0	39	75
18506/45	45.0 - 51.0	45	90
18506/51	51.0 - 57.0	51	90
18506/57	57.0 - 63.0	57	100
18506/63	63.0 - 69.0	63	110
18506/69	69.0 - 75.0	69	110
18506/74	74.0 - 80.0	74	110
18506/78	78.0 - 87.0	78	110



FP170 UC

In Finn-Power FP170 and FP175 models, speed, force and accuracy are combined in the same single machine. Horizontal construction is available upon request.

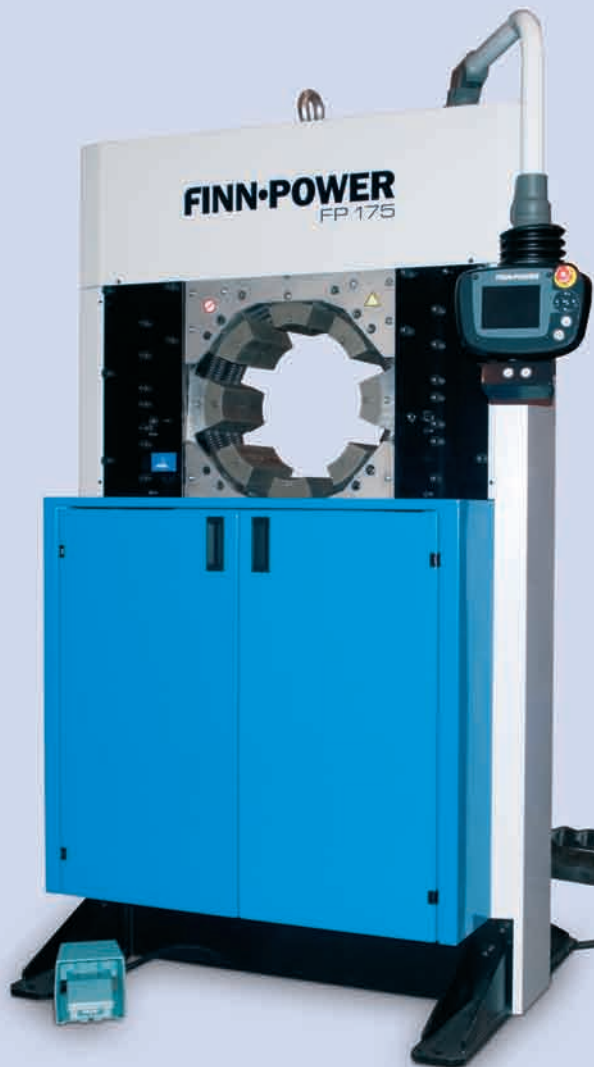
Options:
Auto greasing
Die set rack
Oil cooler
Speed adjustment
Remotic control unit
Pinning support mandrel
UC1, UC2, UC3

	FP170	FP175
Crimping range (mm) ¹⁾	10-320	10-320
Crimping range (inch) ¹⁾	0.39-12.60	0.39-12.60
Max. crimping force (kN)	6600	8300
Max. crimping force (tonnage)	660	830
Number of crimpings/hour ²⁾	1160	1140
Hose size ID (inch)	10	10
Die set ³⁾	P32 ⁵⁾ /FP160 ⁵⁾ /FP170	P32 ⁵⁾ /FP160 ⁵⁾ /FP170
Max. opening (mm) ⁴⁾	+155	+155
Master die D/L (mm)	320 / 220	320 / 220
Master die D/L (inch)	12.60 / 8.66	12.60 / 8.66
Control	UC	UC
Motor (kW)	7.5	11
Motor (HP)	10.0	15.0
SIZE: length (mm)	1200 / 600	1200 / 640
width (mm)	936 / 1056	936 / 1156
height (mm)	2080 / 1185	2080 / 1185
SIZE: length (inch)	47.3 / 23.7	47.3 / 25.2
width (inch)	36.9 / 41.6	36.9 / 45.5
height (inch)	81.9 / 46.7	81.9 / 46.7
Weight (kg)	4280 / 310	4400 / 350
Weight (lbs)	9436 / 684	9700 / 772



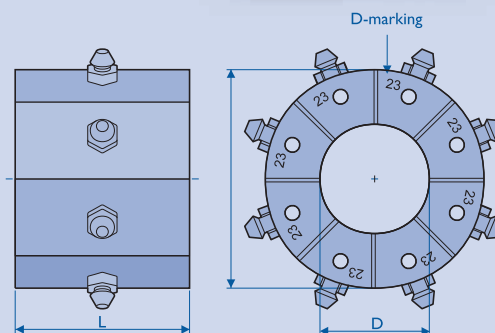
Remotic control unit

- 1) With standard dies. Crimping range can be increased with special dies.
- 2) Theoretical with 10 mm cycle
- 3) See table for die set data
- 4) Maximum opening is the total die travel. Add this value to the minimum crimping diameter of the die set used. The result is the maximum opening of the machine with die set in place.
- 5) With adapter dies



FP175 UC

The FP170 and FP175, "Finn-Power's Titans", are ideal choices when your operation requires crimping of very large hoses or reduction of big pipes. They can be used also for connecting parts requiring extremely high forces. Foot pedal is included as a standard.



18852/xx
FP160

Pno	Crimping range	D	L
18852/84	84.0 - 92.0	84	116
18852/92	92.0 - 100.0	92	116
18852/100	100.0 - 108.0	100	116
18852/108	108.0 - 116.0	108	116
18852/116	116.0 - 126.0	116	116
18852/126	126.0 - 136.0	126	116
18852/136	136.0 - 146.0	136	116
18852/146	146.0 - 156.0	146	116
18852/156	156.0 - 166.0	156	116
18852/166	166.0 - 178.0	166	116
18852/178	178.0 - 190.0	178	116
18852/190	190.0 - 202.0	190	116

405060/xxx
FP170

Pno	Crimping range	D	L
405060/205	205.0 - 220.0	205	220
405060/220	220.0 - 235.0	220	220
405060/235	235.0 - 250.0	235	220
405060/250	250.0 - 270.0	250	220
405060/270	270.0 - 290.0	270	220
405060/290	290.0 - 320.0	290	220

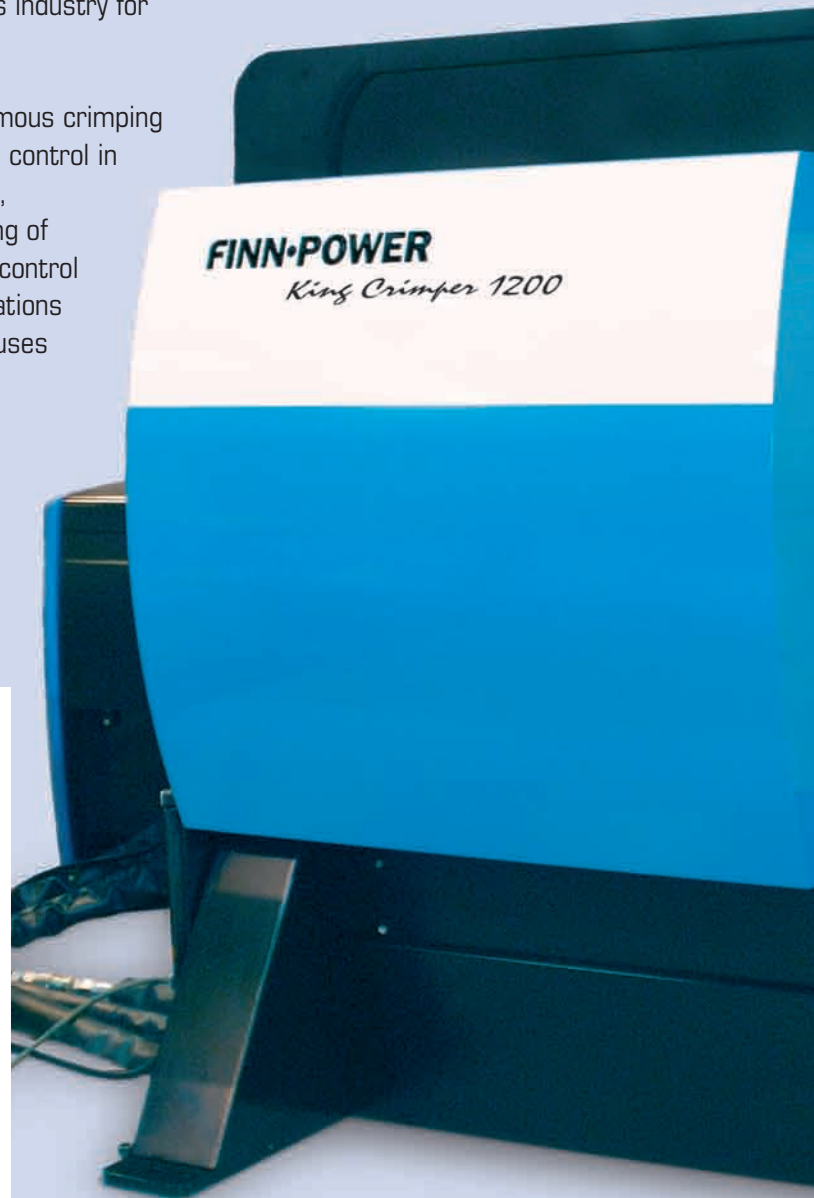
18506/xx
P32

Pno	Crimping range	D	L
18506/10	10.0 - 12.0	10	55
18506/12	12.0 - 14.0	12	55
18506/14	14.0 - 16.0	14	55
18506/16	16.0 - 19.0	16	55
18506/19	19.0 - 22.0	19	55
18506/22	22.0 - 26.0	22	70
18506/26	26.0 - 30.0	26	70
18506/30	30.0 - 34.0	30	70
18506/34	34.0 - 39.0	34	75
18506/39	39.0 - 45.0	39	75
18506/45	45.0 - 51.0	45	90
18506/51	51.0 - 57.0	51	90
18506/57	57.0 - 63.0	57	100
18506/63	63.0 - 69.0	63	110
18506/69	69.0 - 75.0	69	110
18506/74	74.0 - 80.0	74	110
18506/78	78.0 - 87.0	78	110

King Crimper 1200 is the biggest and strongest crimping machine in Finn-Power production range.

The primary market is the oil & gas industry for crimping pipes, tubes and fittings.

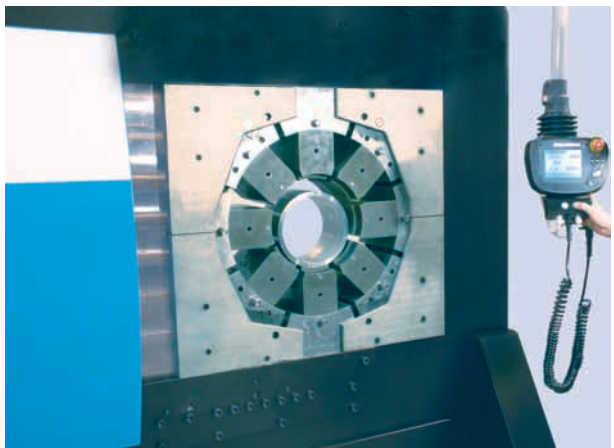
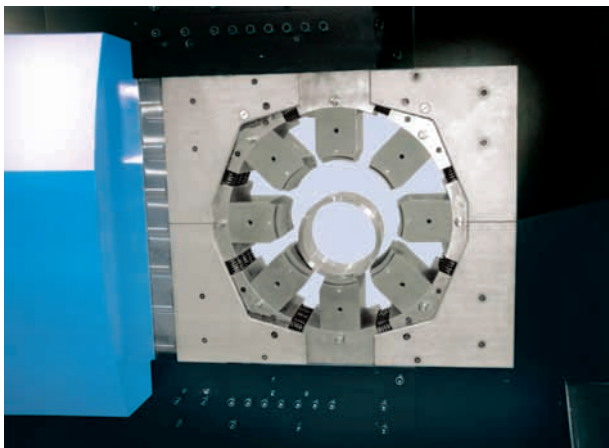
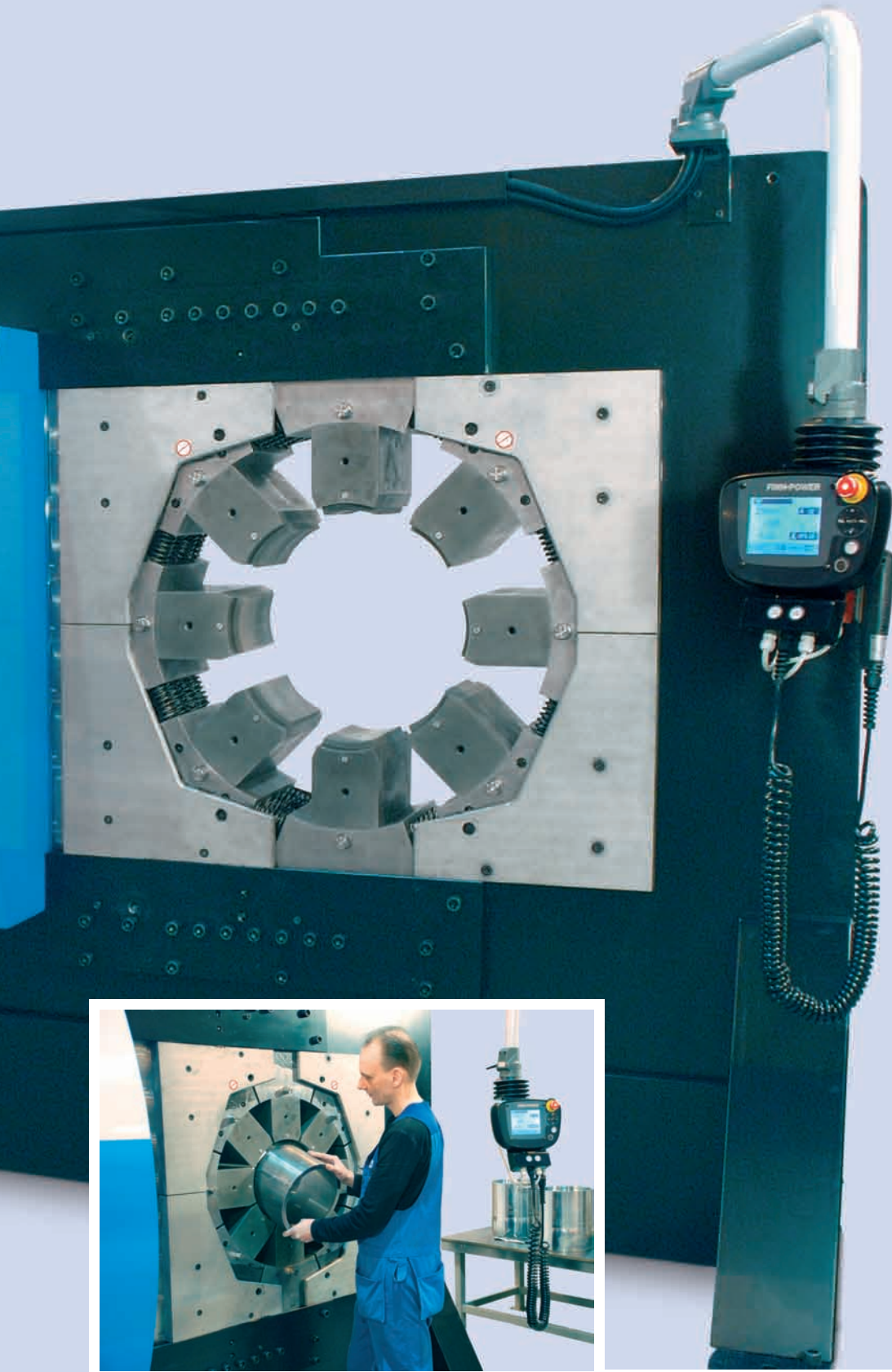
The extremely large opening, enormous crimping force, the most advanced crimping control in the market, quick and precise joint, consistent repeatability, free placing of the operating unit and the remote control guarantees that there are no limitations to the possibilities of applications uses for the King Crimper 1200.



	1200
Crimping range (mm) ¹⁾	200-650
Crimping range (inch) ¹⁾	7.87-25.60
Max. crimping force (kN)	12 000
Max. crimping force (tonnage)	1200
Hose size ID (inch)	16
Die set ²⁾	P32 ⁴⁾ /FP160 ⁴⁾ /FP170
Max. opening (mm) ³⁾	+180
Master die D/L (mm)	640 / 300
Master die D/L (inch)	25.2 / 11.8
Control	UC
Motor (kW)	11
Motor (HP)	15.0
SIZE: length (mm)	3015 / 706
width (mm)	1345 / 1197
height (mm)	2291 / 1141
SIZE: length (inch)	118.7 / 27.8
width (inch)	53 / 47.1
height (inch)	90.2 / 44.9
Weight (kg)	12300 / 350
Weight (lbs)	27116 / 772

Options:
Foot pedal
UC1, UC2, UC3

- 1) With standard dies. Crimping range can be increased with special dies.
- 2) See table for die set data
- 3) Maximum opening is the total die travel. Add this value to the minimum crimping diameter of the die set used. The result is the maximum opening of the machine with die set in place.
- 4) With adapter dies





SP100 UC

Hose assemblies in the automotive industry are often comprised of odd shapes and sharp angles. The traditional pass through head structure of most hose crimping machines does not accommodate such assemblies. This is why Finn-Power has introduced an open head structure, which allows the hose to be fed from the side. This innovative structure makes crimping of any odd shaped hose assemblies easier and more accurate than ever before.

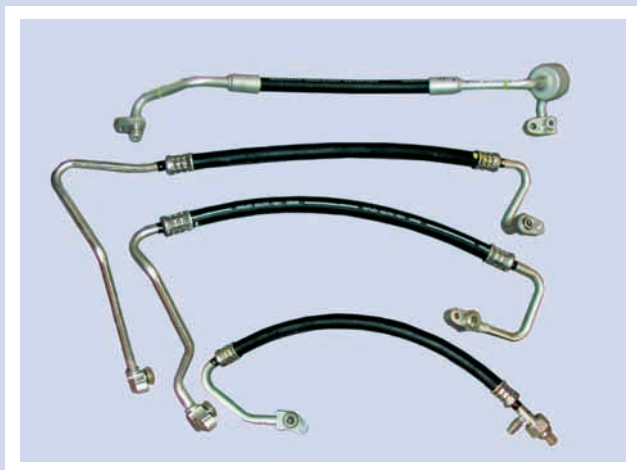
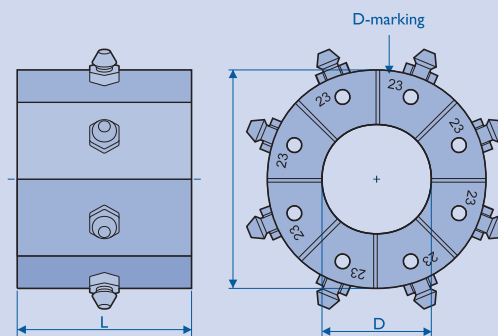
	SP100	SP100S	SP100Z
Crimping range (mm) ¹⁾	10-46	10-46	10-46
Crimping range (inch) ¹⁾	0.39-1.81	0.39-1.81	0.39-1.81
Max. crimping force (kN)	100	100	100
Max. crimping force (tonnage)	10	10	10
Number of crimpings/hour ²⁾	520/1800 ⁵⁾	1200/2900 ⁵⁾	520/1800 ⁵⁾
Hose size ID (inch)	1	1	1
Die set ³⁾	SP100	SP100	SP100
Max. opening (mm) ⁴⁾	+11/+62 ⁶⁾	+11/+62 ⁶⁾	+11/+62 ⁶⁾
Master die D/L (mm)	70 / 40	70 / 40	70 / 40
Master die D/L (inch)	2.75 / 1.58	2.75 / 1.58	2.75 / 1.58
Control	UC	UC	UC
Motor (kW)	3	3	3
Motor (HP)	4.0	4.0	4.0
SIZE: length (mm)	814	1504	455 / 654
width (mm)	766	1074	480 / 473
height (mm)	1670	1866	662 / 711
SIZE: length (inch)	32.0	59.2	18.2 / 26.1
width (inch)	30.2	42.3	19.0 / 20
height (inch)	65.7	73.5	26.5 / 28.4
Weight (kg)	383	560	186 / 96
Weight (lbs)	845	1235	410 / 212

Options:
QC-Tool
Electric back stop device
Mechanical back stop device
Auto greasing
UC1, UC2, UC3
Z-model: foot pedal



Auto greasing

- 1) With standard dies. Crimping range can be increased with special dies.
- 2) Theoretical with 10 mm cycle
- 3) See table for die set data
- 4) Maximum opening is the total die travel. Add this value to the minimum crimping diameter of the die set used. The result is the maximum opening of the machine with die set in place.
- 5) Full cycle / 10 mm cycle
- 6) Die travel / feeding channel



701817/xx
SP100

Pno	Crimping range	D	L
701817/10	10.0 - 12.0	10	40
701817/12	12.0 - 14.0	12	40
701817/14	14.0 - 16.0	14	40
701817/16	16.0 - 19.0	16	40
701817/19	19.0 - 23.0	19	40
701817/23	23.0 - 27.0	23	40
701817/27	27.0 - 31.0	27	40
701817/31	31.0 - 36.0	31	40
701817/36	36.0 - 41.0	36	40
701817/41	41.0 - 47.0	41	40
701817/47	47.0 - 54.0	47	40



SP350Z UC

Options:

QC-Tool
Electric back stop device
Mechanical back stop device
Auto greasing
UC1, UC2, UC3
Z-model: foot pedal

	SP350	SP350S	SP350Z
Crimping range (mm) ¹⁾	10-54	10-54	10-54
Crimping range (inch) ¹⁾	0.39-2.12	0.39-2.12	0.39-2.12
Max. crimping force (kN)	350	350	350
Max. crimping force (tonnage)	35	35	35
Number of crimpings/hour ²⁾	480/2900 ⁵⁾	950/5000 ⁵⁾	480/2900 ⁵⁾
Hose size ID (inch)	1¼	1¼	1¼
Die set ³⁾	CC22	CC22	CC22
Max. opening (mm) ⁴⁾	+25/+48 ⁶⁾	+25/+48 ⁶⁾	+25/+48 ⁶⁾
Master die D/L (mm)	84 / 78	84 / 78	84 / 78
Master die D/L (inch)	3.31 / 3.07	3.31 / 3.07	3.31 / 3.07
Control	UC	UC	UC
Motor (kW)	3	4	3
Motor (HP)	4.0	5.5	4.0
SIZE: length (mm)	970	1504	580 / 653
width (mm)	1020	1074	630 / 473
height (mm)	1871	1871	863 / 710
SIZE: length (inch)	38.2	59.2	22.8 / 25.7
width (inch)	40.2	42.3	24.9 / 18.6
height (inch)	73.7	73.7	34 / 28
Weight (kg)	930	1100	410 / 100
Weight (lbs)	2050	2425	904 / 220



- 1) With standard dies. Crimping range can be increased with special dies.
- 2) Theoretical with 10 mm cycle
- 3) See table for die set data
- 4) Maximum opening is the total die travel. Add this value to the minimum crimping diameter of the die set used. The result is the maximum opening of the machine with die set in place.
- 5) Full cycle / 10 mm cycle
- 6) Die travel / feeding channel

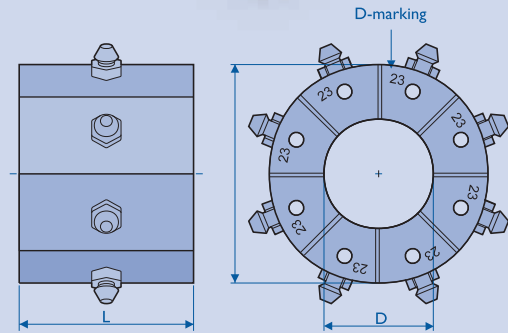
SP350 side feed crimping machine features: unsurpassed accuracy and repeatability, easy to use and versatile control unit with a movable swing arm, adjustable angle of crimping head for easier part orientation and visibility, simple installation and start up. Special machine construction enables implementation to automated work cells.



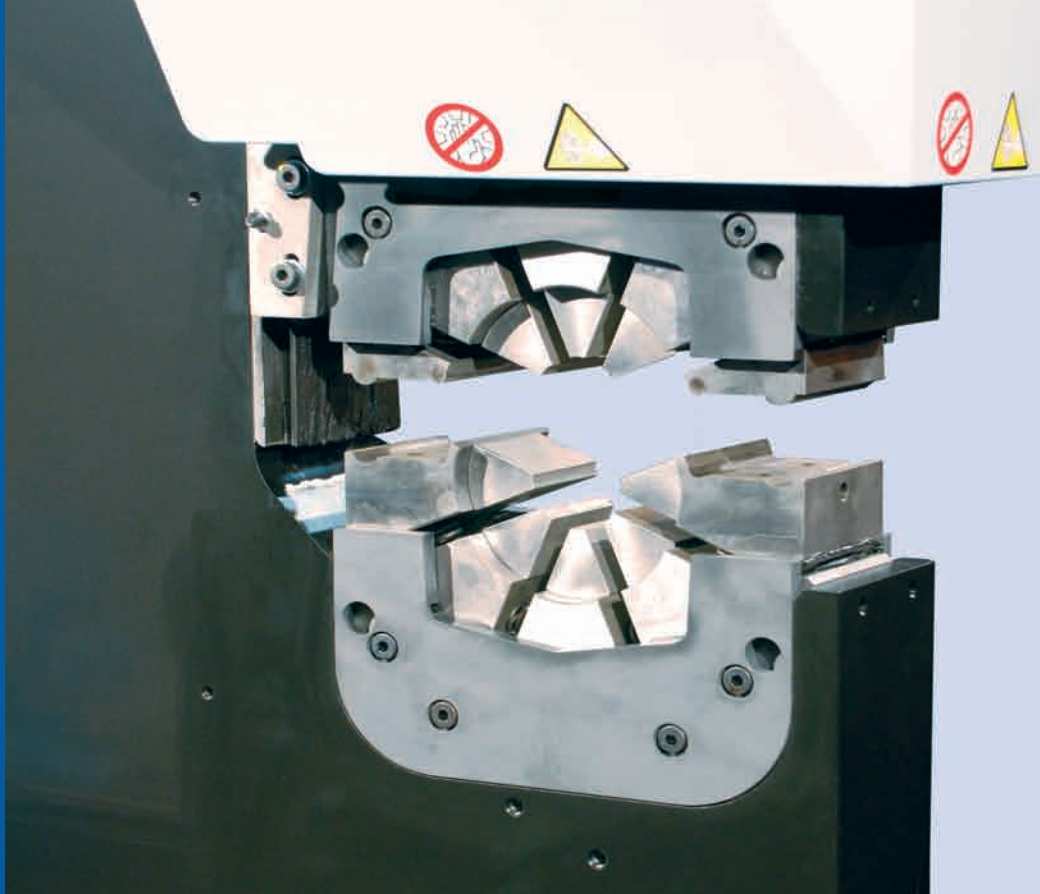
SP350 UC



SP350S UC

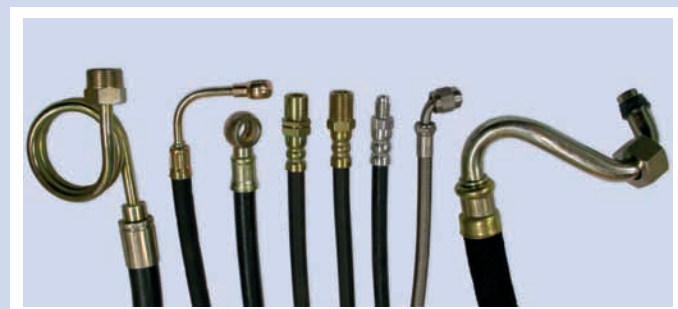


18315/xx CC22			
Pno	Crimping range	D	L
18315/10	10.0 - 12.0	10	50
18315/12	12.0 - 14.0	12	50
18315/14	14.0 - 16.0	14	50
18315/16	16.0 - 19.0	16	50
18315/19	19.0 - 23.0	19	50
18315/23	23.0 - 27.0	23	50
18315/27	27.0 - 31.0	27	50
18315/31	31.0 - 36.0	31	50
18315/36	36.0 - 41.0	36	50
18315/41	41.0 - 47.0	41	50
18315/47	47.0 - 54.0	47	50



	SP1200	SP1200S
Crimping range (mm) ¹⁾	10-54	10-54
Crimping range (inch) ¹⁾	0.39-2.12	0.39-2.12
Max. crimping force (kN)	1200	1200
Max. crimping force (tonnage)	120	120
Number of crimpings/hour ²⁾	420/1600 ⁵⁾	420/2500 ⁵⁾
Hose size ID (inch)	1¼	1¼
Die set ³⁾	CC22	CC22
Max. opening (mm) ⁴⁾	+25/+63 ⁶⁾	+25/+63 ⁶⁾
Master die D/L (mm)	84 / 78	84 / 78
Master die D/L (inch)	3.31 / 3.07	3.31 / 3.07
Control	UC	UC
Motor (kW)	4	4
Motor (HP)	5.5	5.5
SIZE: length (mm)	970	755 / 653
width (mm)	1020	726 / 473
height (mm)	2030	1085 / 710
SIZE: length (inch)	38.2	29.7 / 25.7
width (inch)	40.2	28.6 / 18.6
height (inch)	80	42.7 / 28
Weight (kg)	1350	850 / 100
Weight (lbs)	2976	1874 / 221

Options:
QC-Tool
Foot pedal
Electric back stop device
Mechanical back stop device
Auto greasing
UC1, UC2, UC3



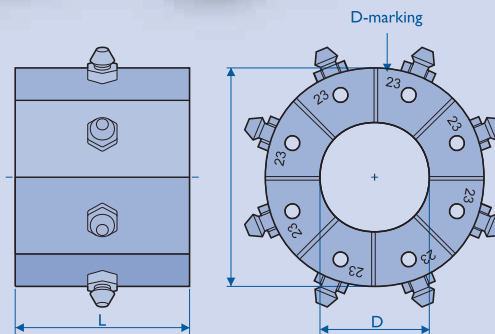
- 1) With standard dies. Crimping range can be increased with special dies.
- 2) Theoretical with 10 mm cycle
- 3) See table for die set data
- 4) Maximum opening is the total die travel. Add this value to the minimum crimping diameter of the die set used. The result is the maximum opening of the machine with die set in place.
- 5) Full cycle / 10 mm cycle
- 6) Die travel / feeding channel

SP1200 is the biggest and strongest machine in the side feed crimping line.

The innovative structure of this model allows the hose to be fed from the side and makes crimping of any odd shaped hose assemblies easier and more accurate than ever before.



SP1200S

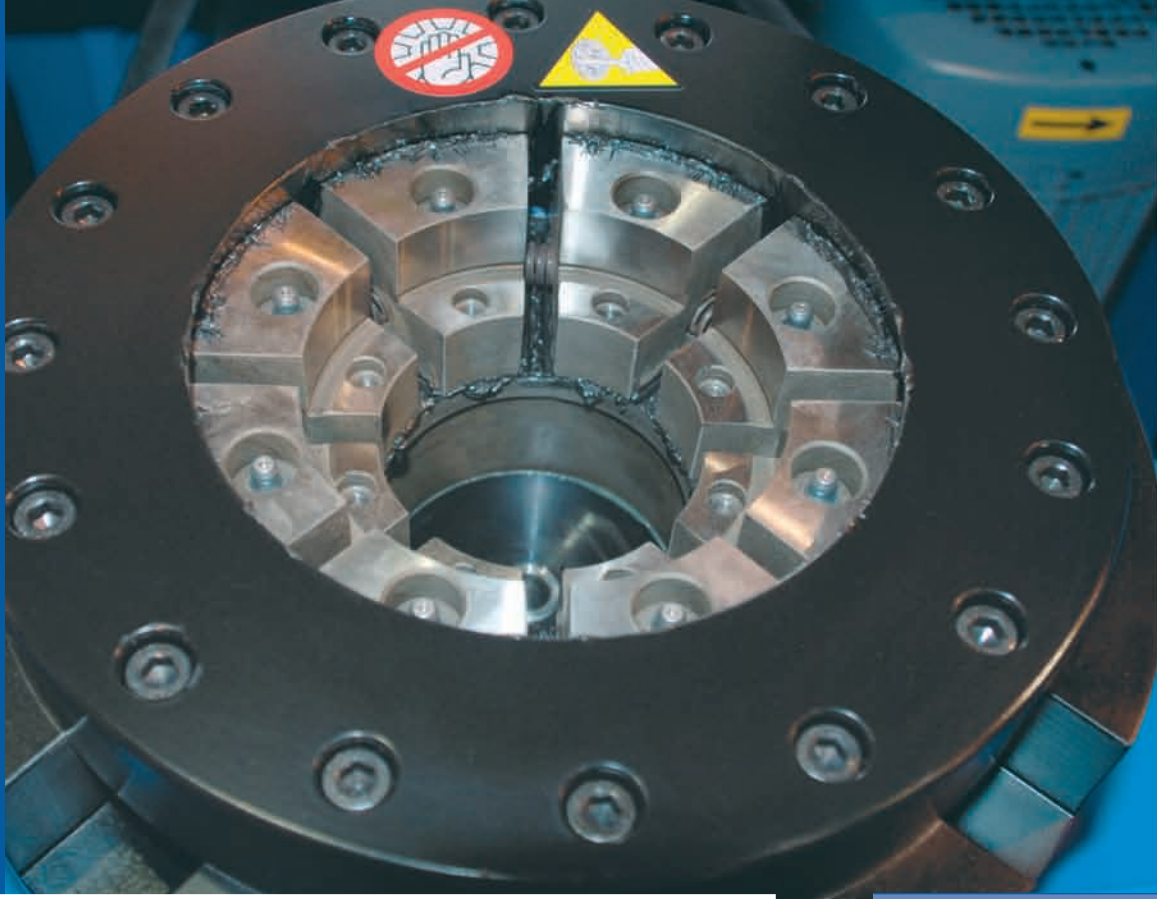


Foot pedal



18315/xx
CC22

Pno	Crimping range	D	L
18315/10	10.0 - 12.0	10	50
18315/12	12.0 - 14.0	12	50
18315/14	14.0 - 16.0	14	50
18315/16	16.0 - 19.0	16	50
18315/19	19.0 - 23.0	19	50
18315/23	23.0 - 27.0	23	50
18315/27	27.0 - 31.0	27	50
18315/31	31.0 - 36.0	31	50
18315/36	36.0 - 41.0	36	50
18315/41	41.0 - 47.0	41	50
18315/47	47.0 - 54.0	47	50



Options:

Auto greasing

Mechanical back stop device

UC1, UC2, UC3

	NC20	NC30	NC40
Crimping range (mm) ¹⁾	12-49	12-63	12-105
Crimping range (inch) ¹⁾	0.47-1.93	0.47-2.48	0.47-4.13
Max. crimping force (kN)	500	660	930
Max. crimping force (tonnage)	50	66	93
Number of crimpings/hour ²⁾	2100	2400	1900
Hose size ID (inch)	1¼	2	2
Die set ³⁾	NC20	NC30	NC ⁵⁾
Max. opening (mm) ⁴⁾	+18	+26	+26
Master die D/L (mm)	99 / 22	99 / 35	140 / 37
Master die D/L (inch)	3.90 / 0.87	3.90 / 1.38	5.52 / 1.46
Control	UC	UC	UC
Motor (kW)	3	4	4
Motor (HP)	4.0	5.5	5.5
SIZE: length (mm)	835	835	835
width (mm)	885	885	885
height (mm)	997	997	997
SIZE: length (inch)	32.9	32.9	32.9
width (inch)	34.8	34.8	34.8
height (inch)	39.3	39.3	39.3
Weight (kg)	220	240	240
Weight (lbs)	485	529	529



- 1) With standard dies. Crimping range can be increased with special dies.
- 2) Theoretical with 10 mm cycle
- 3) See table for die set data
- 4) Maximum opening is the total die travel. Add this value to the minimum crimping diameter of the die set used. The result is the maximum opening of the machine with die set in place.
- 5) NC20, NC30 and NC40 dies can be used

FINN-POWER's NC20, NC30 and NC40 series nut crimping machines provide fast, accurate operation in crimping the nut / ferrule / bush set on ends of hydraulic hoses. These models are intended for use in serial manufacturing.

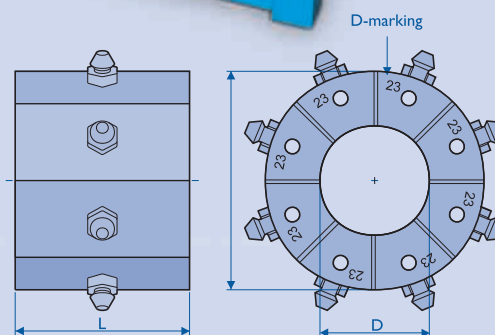
A special centring pin, selected according to ferrule size is used during the crimping. The machine produces accurate and consistent results.



NC40



NC20Z UC



702044/xx
NC30

Pno	Crimping range	D	L
702044/12	12.0 - 14.0	12	3
702044/14	14.0 - 16.0	14	3
702044/16	16.0 - 19.0	16	4
702044/19	19.0 - 22.0	19	4
702044/22	22.0 - 26.0	22	4.5
702044/26	26.0 - 30.0	26	4.5
702044/30	30.0 - 34.0	30	5
702044/34	34.0 - 39.0	34	5
702044/39	39.0 - 45.0	39	5
702044/45	45.0 - 51.0	45	5
702044/51	51.0 - 57.0	51	5
702044/57	57.0 - 63.0	57	5

18546/xx
NC20

Pno	Crimping range	D	L
18546/12	12.0 - 16.0	12	3
18546/16	16.0 - 22.0	16	4
18546/22	22.0 - 27.0	22	4.5
18546/27	27.0 - 34.0	27	5
18546/34	34.0 - 41.0	34	5
18546/41	41.0 - 49.0	41	5

703955/xx
NC40

Pno	Crimping range	D	L
703955/63	63.0 - 69.0	63	5
703955/69	69.0 - 73.0	69	5
703955/73	73.0 - 81.0	73	6
703955/81	81.0 - 93.0	81	7
703955/93	93.0 - 26.0	93	7



CC24

	CC22	CC24
Crimping range (mm) ¹⁾	10-54	10-61
Crimping range (inch) ¹⁾	0.39-2.12	0.39-2.40
Max. crimping force (kN)	680	1300
Max. crimping force (tonnage)	68	130
Number of crimpings/hour ²⁾	1700	1280
Hose size ID (inch)	1¼	1¼
Die set ³⁾	CC22	P20
Max. opening (mm) ⁴⁾	+25	+25
Master die D/L (mm)	84 / 52	84 / 80
Master die D/L (inch)	3.31 / 2.05	3.31 / 3.15
Control	UC	UC
Motor (kW)	3	4
Motor (HP)	4.0	5.5
SIZE: length (mm)	597	597
width (mm)	475	586
height (mm)	722	780
SIZE: length (inch)	23.6	23.6
width (inch)	18.8	23.1
height (inch)	28.4	30.7
Weight (kg)	125	178
Weight (lbs)	276	393

Options:
QC-Tool
Foot pedal
Electric back stop device
Mechanical back stop device
Auto greasing
UC1, UC2



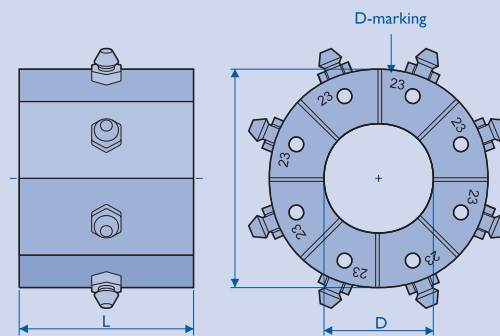
- 1) With standard dies. Crimping range can be increased with special dies.
- 2) Theoretical with 10 mm cycle
- 3) See table for die set data
- 4) Maximum opening is the total die travel. Add this value to the minimum crimping diameter of the die set used. The result is the maximum opening of the machine with die set in place.

Outside high-pressure hydraulics there are numerous hose applications where relatively low crimping force is required. These are commonly found in automotive technology, low-pressure water systems, house-hold equipment etc.

Finn-Power's CC22 and CC24 crimping machines maximize productivity through an optimal force/speed ratio.



CC22



18315/xx
CC22

Pno	Crimping range	D	L
18315/10	10.0 - 12.0	10	50
18315/12	12.0 - 14.0	12	50
18315/14	14.0 - 16.0	14	50
18315/16	16.0 - 19.0	16	50
18315/19	19.0 - 23.0	19	50
18315/23	23.0 - 27.0	23	50
18315/27	27.0 - 31.0	27	50
18315/31	31.0 - 36.0	31	50
18315/36	36.0 - 41.0	36	50
18315/41	41.0 - 47.0	41	50
18315/47	47.0 - 54.0	47	50

18013 /xx
P20

Pno	Crimping range	D	L
18013/10	10.0 - 12.0	10	55
18013/12	12.0 - 14.0	12	55
18013/14	14.0 - 16.0	14	55
18013/16	16.0 - 19.0	16	55
18013/19	19.0 - 23.0	19	55
18013/23	23.0 - 27.0	23	55
18013/27	27.0 - 31.0	27	70
18013/31	31.0 - 36.0	31	70
18013/36	36.0 - 41.0	36	75
18013/41	41.0 - 47.0	41	75
18013/47	47.0 - 54.0	47	85
18013/54	54.0 - 61.0	54	85

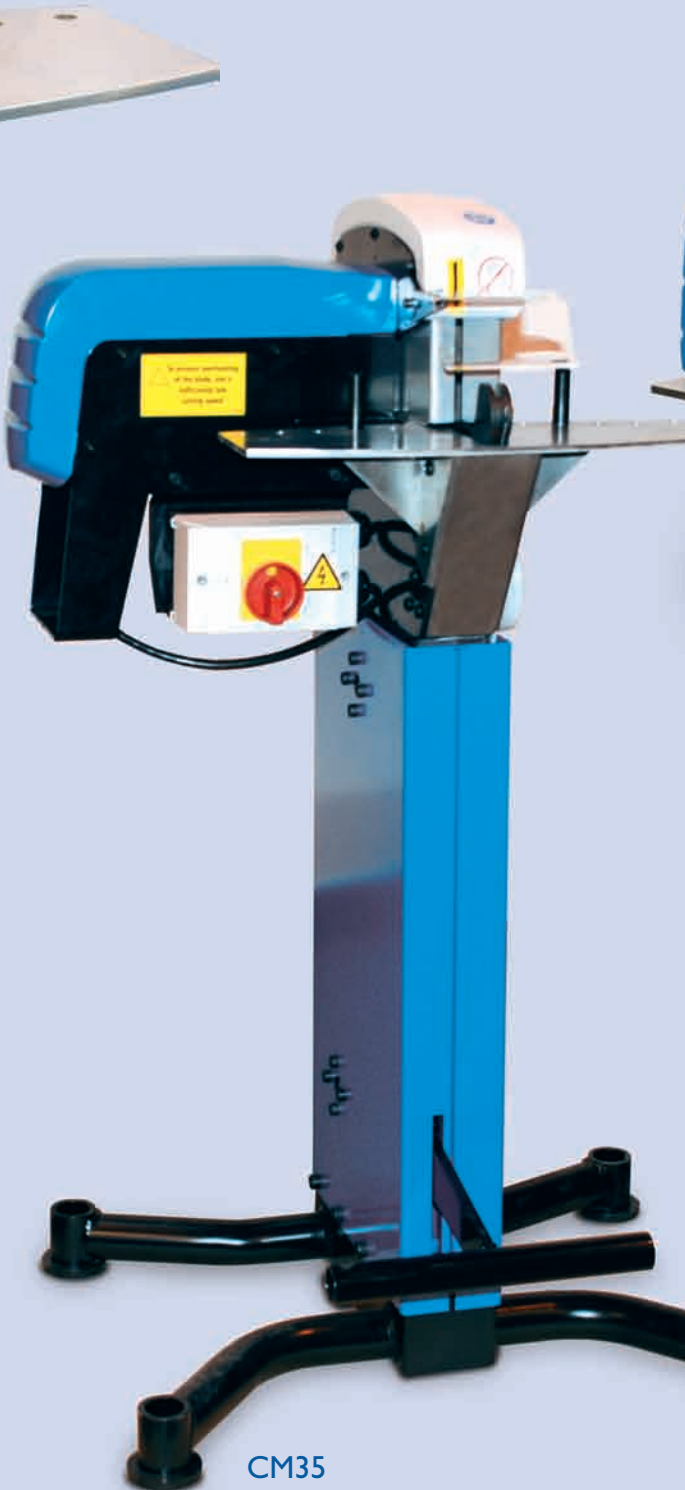


	3-PHASE	1-PHASE	DC
Hose capacity, 1-2 wire (inch)	2	2	1 1/4
Hose capacity, 4 wire (inch)	1 1/4	1 1/4	3/4
Motor (kW)	3	2.2	1.1
Motor (HP)	4	3	1.5
Voltage (V)	230/400	230	12
Speed of blade, 50 Hz (rpm)	2750	2750	2750
Speed of blade, 60 Hz (rpm)	3370	3370	3370
Blade diameter (mm)	300	300	300
SIZE CM30/CM35: length (mm)	600 / 712	600 / 712	600 / 712
width (mm)	503 / 562	503 / 562	503 / 562
height (mm)	739 / 1127	739 / 1127	739 / 1127
SIZE CM30/CM35: length (inch)	23.6 / 28	23.6 / 28	23.6 / 28
width (inch)	19.8 / 22.1	19.8 / 22.1	19.8 / 22.1
height (inch)	29.1 / 44.4	29.1 / 44.4	29.1 / 44.4
Weight (kg)	50 / 60	50 / 60	50 / 60
Weight (lbs)	111 / 133	111 / 133	111 / 133

Options:

Fume extractor

Finn-Power CM30 and CM35 cutting machines are manually operated and designed for service use, in workshops and service vans. They can be used for cutting up to 2" braided hoses efficiently, fast and safely. Both models are equipped with fume exhaust connections.



CM35



CM30





CM75

The CM75 and CM91 hose cutting machines have been designed to cut up all types of hoses up to 2" and 3" diameter 6-spiral hoses.

The 520/650 mm diameter blades operate at 3000 rpm. The hose is pushed against the blade by a pneumatic cylinder (CM75) or by spindle motor (CM91). Piston movement speed can be quickly and easily adjusted to choose optimal cutting speed for each type of hose.

Lower speeds are used with thick hoses thus overheating of the blade is avoided. The blade can be resharpened when necessary. The cutter has a built-in bin for the collection of cutting waste. The blade is protected by a metal safety guard.

	CM75	CM91
Hose capacity, 6 wire (inch)	2	3
Motor (kW)	7,5	11
Motor (HP)	10	15
Voltage (V)	230/400	230/400
Speed of blade, 50 Hz (rpm)	2840	2900
Speed of blade, 60 Hz (rpm)	2840	3480
Blade diameter (mm)	520	650
length (mm)	990	1399
width (mm)	714	701
height (mm)	1318	1614
length (inch)	39	55.1
width (inch)	28.1	27.6
height (inch)	51.9	63.5
Weight (kg)	220	300
Weight (lbs)	485	661

Options:
Measuring table
Fume extractor
Motor brake
Smooth blade

Measuring table



Special features for Finn-Power CM91:
electrical control with autospeed function,
blade feed rate is adjusted according to
required cutting force, ascending/
descending counter, short blade
opening on/of, foot pedal, adjustable
blade height, removable scrap bin
and connection duct for
a fume extractor.

CM91



Service line / General production

	P16HP	P16AP	P20HP	P20AP	P20CS	P20X	20
Crimping range (mm) ¹⁾	10-45	10-45	10-61	10-61	10-61	10-61	10-61
Crimping range (inch) ¹⁾	0.39-1.77	0.39-1.77	0.39-2.40	0.39-2.40	0.39-2.40	0.39-2.40	0.39-2.40
Max. crimping force (kN)	955	955	1370	1370	1370	1370	1370
Max. crimping force (tonnage)	95	95	137	137	137	137	137
Number of crimpings/hour ²⁾	-	-	-	-	250	258 / 530 ⁶⁾	250 / 850 ⁶⁾
Hose size ID (inch)	1	1	1½	1½	1½	1½	1½
Die set ³⁾	P16	P16	P20	P20	P20	P20	P20
Max. opening (mm) ⁴⁾	+20	+20	+25	+25	+25	+25	+25
Master die D/L (mm)	39 / 64	39 / 64	84 / 80	84 / 80	84 / 80	84 / 80	84 / 80
Master die D/L (inch)	1.54 / 2.52	1.54 / 2.51	3.31 / 3.15	3.31 / 3.15	3.31 / 3.15	3.31 / 3.15	3.31 / 3.15
Control	manual	manual	manual	manual	MS	MS	MS / UC
Motor (kW)	hand pump	air pressure	hand pump	air pressure	1.6 / 2.2 ⁵⁾	1.5 / 2.2 ⁶⁾	1.5 / 3 ⁶⁾
Motor (HP)	hand pump	air pressure	hand pump	air pressure	2.1 / 3.0 ⁵⁾	2.0 / 3.0 ⁶⁾	2.0 / 4.0 ⁶⁾

Serial production / Heavy duty

	FP20	120	120S	FP140	FP140S	FP145	FP160
Crimping range (mm) ¹⁾	10-61	10-87	10-87	10-124	10-124	10-124	10-202
Crimping range (inch) ¹⁾	0.39-2.67	0.39-3.42	0.39-3.42	0.39-4.88	0.39-4.88	0.39-4.88	0.39-7.95
Max. crimping force (kN)	1500	2800	2800	3200	3200	3500	3500
Max. crimping force (tonnage)	150	280	280	320	320	350	350
Number of crimpings/hour ²⁾	2300	2400	3000	2000	2500	2400	1800
Hose size ID (inch)	1½	2	2	2½ / 4 ⁸⁾	2½ / 4 ⁸⁾	2½ / 4 ⁸⁾	6
Die set ³⁾	P20	P32	P32	P32 ⁹⁾ / FP140	P32 ⁹⁾ / FP140	P32 ⁹⁾ / FP145	P32 ⁹⁾ / FP160
Max. opening (mm) ⁴⁾	+68	+68	+68	+82	+82	+82	+125
Master die D/L (mm)	84/97	99/97	99/97	140/97	140/97	140/116	220/116
Master die D/L (inch)	3.90/3.82	3.90/3.82	3.90/3.82	5.52/3.82	5.52/3.82	5.52/4.57	8.66 / 4.57
Control	UC	UC	UC	UC	UC	UC	UC
Motor (kW)	3	5.5	7.5	5.5	7.5	7.5	5.5
Motor (HP)	4.0	7.5	10.0	7.5	10.0	10.0	7.5

P32CS	P32X	32	P51	P60	
10-87	10-87	10-87	10-87(124) ⁷⁾	10-87(124) ⁷⁾	Crimping range (mm) ¹⁾
0.39-3.42	0.39-3.42	0.39-3.42	0.39-3.42(4.88) ⁷⁾	0.39-3.42(4.88) ⁷⁾	Crimping range (inch) ¹⁾
2000	2000	2000	2800	2600	Max. crimping force (kN)
200	200	200	280	260	Max. crimping force (tonnage)
150	134 / 411 ⁶⁾	200 / 850 ⁶⁾	720	720	Number of crimpings/hour ²⁾
2	2	2	2½ / 4 ⁸⁾	2½ / 4 ⁸⁾	Hose size ID (inch)
P32	P32	P32	P32 ⁷⁾	P32 ⁷⁾	Die set ³⁾
+33	+33	+33	+46	+64	Max. opening (mm) ⁴⁾
99 / 80	99 / 80	99 / 80	140 / 120	140 / 120	Master die D/L (mm)
3.90 / 3.15	3.90 / 3.15	3.90 / 3.15	5.52 / 4.73	5.52 / 4.73	Master die D/L (inch)
MS	MS	MS / UC	MS / UC	MS / UC	Control
1.6 / 2.2 ⁵⁾	1.5 / 2.2 ⁶⁾	1.5 / 4 ⁶⁾	4	4	Motor (kW)
2.1 / 3.0 ⁵⁾	2.0 / 3.0 ⁶⁾	2.0 / 5.5 ⁶⁾	5.5	5.5	Motor (HP)

FP165	FP170	FP175	1200	
10-202	10-320	10-320	200-650	Crimping range (mm) ¹⁾
0.39-7.95	0.39-12.60	0.39-12.60	7.87-25.60	Crimping range (inch) ¹⁾
5000	6600	8300	12 000	Max. crimping force (kN)
500	660	830	1200	Max. crimping force (tonnage)
1260	1160	1140	NA	Number of crimpings/hour ²⁾
6	10	10	16	Hose size ID (inch)
P32 ⁹⁾ /FP160	P32 ⁹⁾ /FP160 ⁹⁾ /FP170	P32 ⁹⁾ /FP160 ⁹⁾ /FP170	P32 ⁹⁾ /FP160 ⁹⁾ /FP170	Die set ³⁾
+125	+155	+155	+180	Max. opening (mm) ⁴⁾
220/116	320 / 220	320 / 220	640 / 300	Master die D/L (mm)
8.66 / 4.57	12.60 / 8.66	12.60 / 8.66	25.2 / 11.8	Master die D/L (inch)
UC	UC	UC	UC	Control
5.5	7.5	11	11	Motor (kW)
7.5	10.0	15.0	15.0	Motor (HP)

Side feed / Nut & cable crimping

	SP100	SP100S	SP100Z	SP350	SP350S	SP350Z	SP1200
Crimping range (mm) ¹⁾	10-46	10-46	10-46	10-54	10-54	10-54	10-54
Crimping range (inch) ¹⁾	0.39-1.81	0.39-1.81	0.39-1.81	0.39-2.12	0.39-2.12	0.39-2.12	0.39-2.12
Max. crimping force (kN)	100	100	100	350	350	350	1200
Max. crimping force (tonnage)	10	10	10	35	35	35	120
Number of crimpings/hour ²⁾	520/1800 ¹¹⁾	1200/2900 ¹¹⁾	520/1800 ¹¹⁾	480/2900 ¹¹⁾	950/5000 ¹¹⁾	480/2900 ¹¹⁾	420/1600 ¹¹⁾
Hose size ID (inch)	1	1	1	1¼	1¼	1¼	1¼
Die set ³⁾	SP100	SP100	SP100	CC22	CC22	CC22	CC22
Max. opening (mm) ⁴⁾	+11/+62 ¹²⁾	+11/+62 ¹²⁾	+11/+62 ¹²⁾	+25/+48 ¹²⁾	+25/+48 ¹²⁾	+25/+48 ¹²⁾	+25/+63 ¹²⁾
Master die D/L (mm)	70 / 40	70 / 40	70 / 40	84 / 78	84 / 78	84 / 78	84 / 78
Master die D/L (inch)	2.75 / 1.58	2.75 / 1.58	2.75 / 1.58	3.31 / 3.07	3.31 / 3.07	3.31 / 3.07	3.31 / 3.07
Control	UC	UC	UC	UC	UC	UC	UC
Motor (kW)	3	3	3	3	4	3	4
Motor (HP)	4.0	4.0	4.0	4.0	5.5	4.0	5.5

CM30 / CM35

	3-PH.	1-PH.	DC
Hose capacity, 1-2 wire (inch)	2	2	1 1/4
Hose capacity, 4 wire (inch)	1 1/4	1 1/4	3/4
Motor (kW)	3	2.2	1.1
Motor (HP)	4	3	1.5
Voltage (V)	230/400	230	12
Speed of blade, 50 Hz (rpm)	2750	2750	2750
Speed of blade, 60 Hz (rpm)	3370	3370	3370
Blade diameter (mm)	300	300	300

CM75 / CM91

	CM75	CM91
Hose capacity, 6 wire (inch)	2	3
Motor (kW)	7,5	11
Motor (HP)	10	15
Voltage (V)	230/400	230/400
Speed of blade, 50 Hz (rpm)	2840	2900
Speed of blade, 60 Hz (rpm)	2840	3480
Blade diameter (mm)	520	650

SP1200S	NC20	NC30	NC40	CC22	CC24	
10-54	12-49	12-63	12-105	10-54	10-61	Crimping range (mm) ¹⁾
0.39-2.12	0.47-1.93	0.47-2.48	0.47-4.13	0.39-2.12	0.39-2.40	Crimping range (inch) ¹⁾
1200	500	660	930	680	1300	Max. crimping force (kN)
120	50	66	93	68	130	Max. crimping force (tonnage)
420/2500 ¹¹⁾	2100	2400	1900	1700	1280	Number of crimpings/hour ²⁾
1¼	1¼	2	2	1¼	1¼	Hose size ID (inch)
CC22	NC20	NC30	NC ¹³⁾	CC22	P20	Die set ³⁾
+25/+48 ¹²⁾	+18	+26	+26	+25	+25	Max. opening (mm) ⁴⁾
84 / 78	99 / 22	99 / 35	140 / 37	84 / 52	84 / 80	Master die D/L (mm)
3.31 / 3.07	3.90 / 0.87	3.90 / 1.38	5.52 / 1.46	3.31 / 2.05	3.31 / 3.15	Master die D/L (inch)
UC	UC	UC	UC	UC	UC	Control
4	3	4	4	3	4	Motor (kW)
5.5	4.0	5.5	5.5	4.0	5.5	Motor (HP)

footnotes

- 1) With standard dies. Crimping range can be increased with special dies.
- 2) Theoretical with 10 mm cycle
- 3) See table for die set data
- 4) Maximum opening is the total die travel. Add this value to the minimum crimping diameter of the die set used. The result is the maximum opening of the machine with die set in place.
- 5) Overload controlled
- 6) 1-phase / 3-phase
- 7) FP140 dies can be used without adapter dies
- 8) Hydraulic hose / industrial hose
- 9) With adapter dies
- 10) Hose cutter
- 11) Full cycle / 10 mm cycle
- 12) Die travel / feeding channel
- 13) NC20, NC30 and NC40 dies can be used



Lillbacka | Powerco

Lillbacka Powerco Ltd

P.O.Box 1, Konepajantie 4

FI-62301 HÄRMÄ, Finland

Tel. +358 6 485 4444

Fax +358 6 485 4400

powerco@lillbacka.com

www.lillbacka.com/powerco

Lillbacka Powerco USA, Inc.

619 Estes Avenue

Schaumburg, IL 60193, U.S.A.

Tel. +1 847 301 1300

Fax. +1 847 301 2562